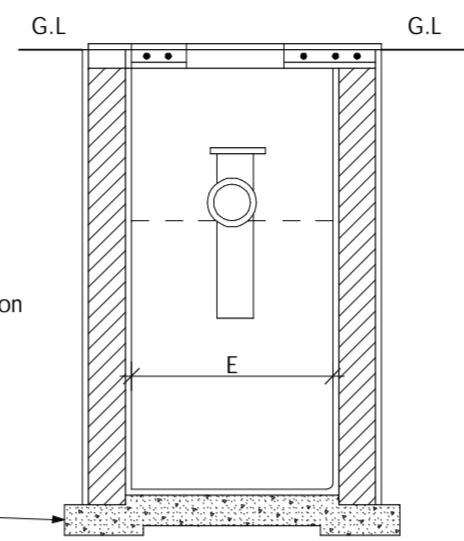
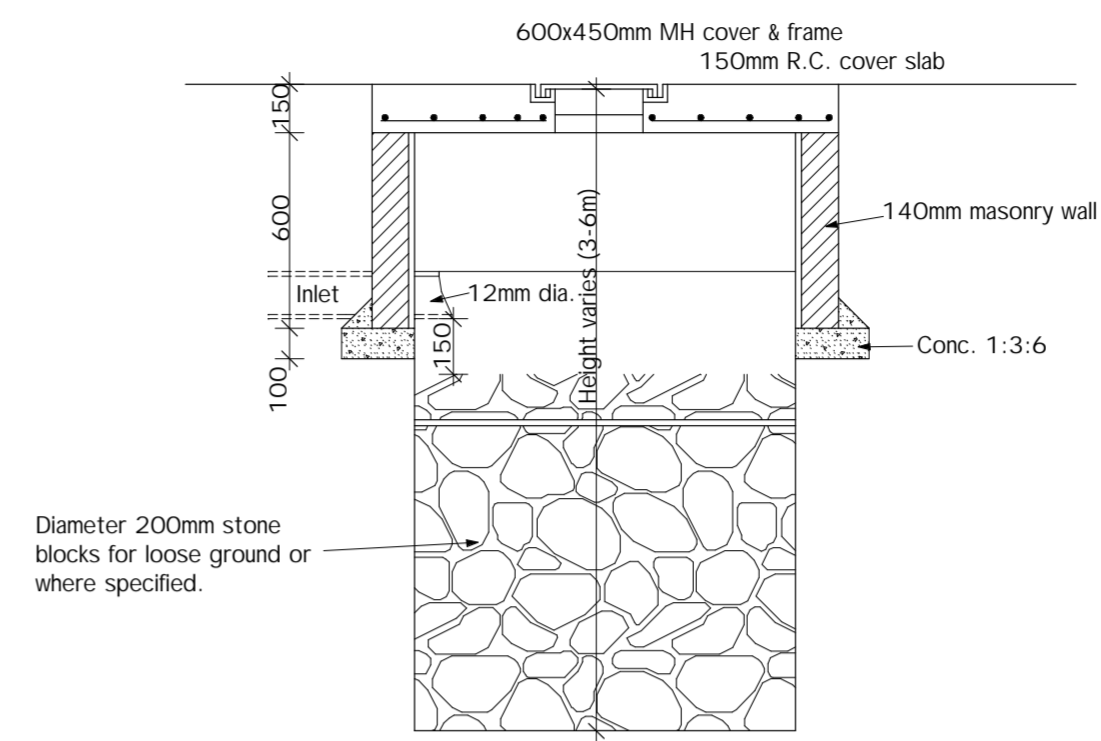


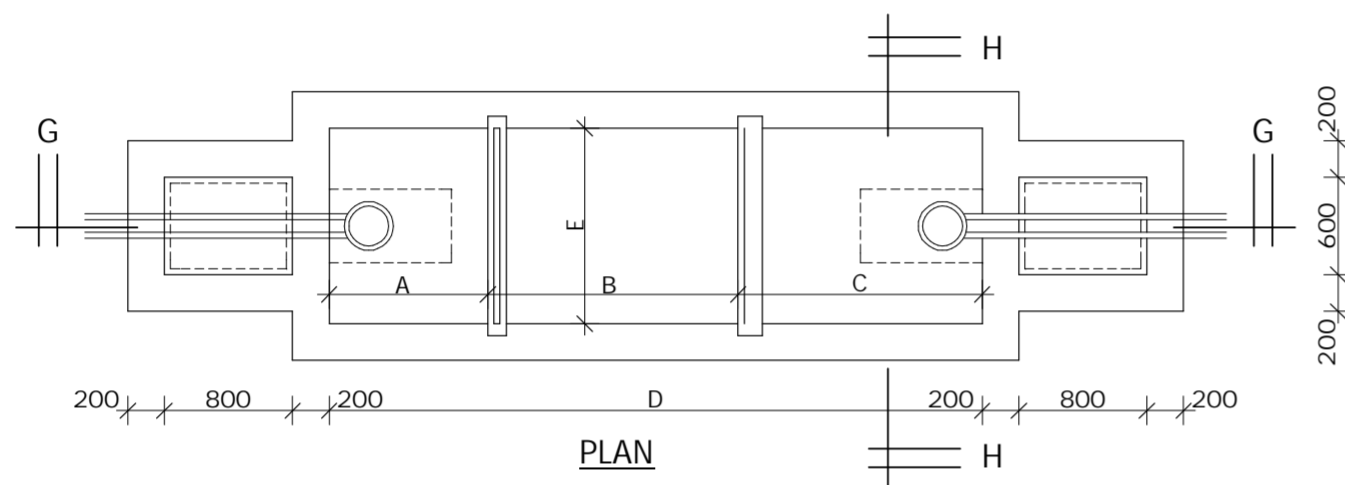
SECTION G - G



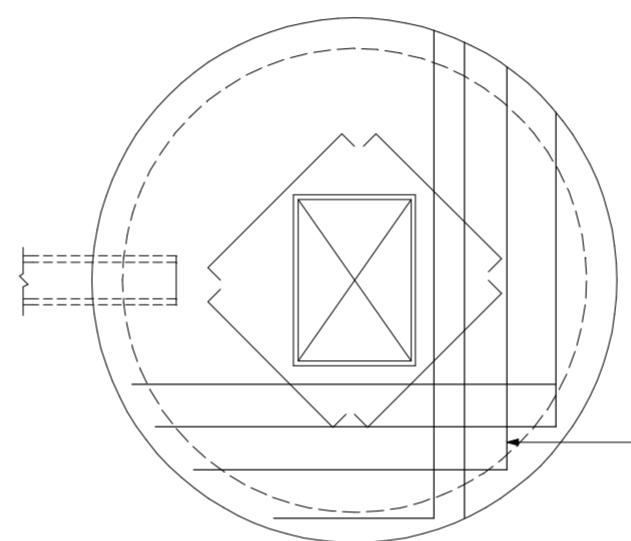
SECTION H - H



SECTION

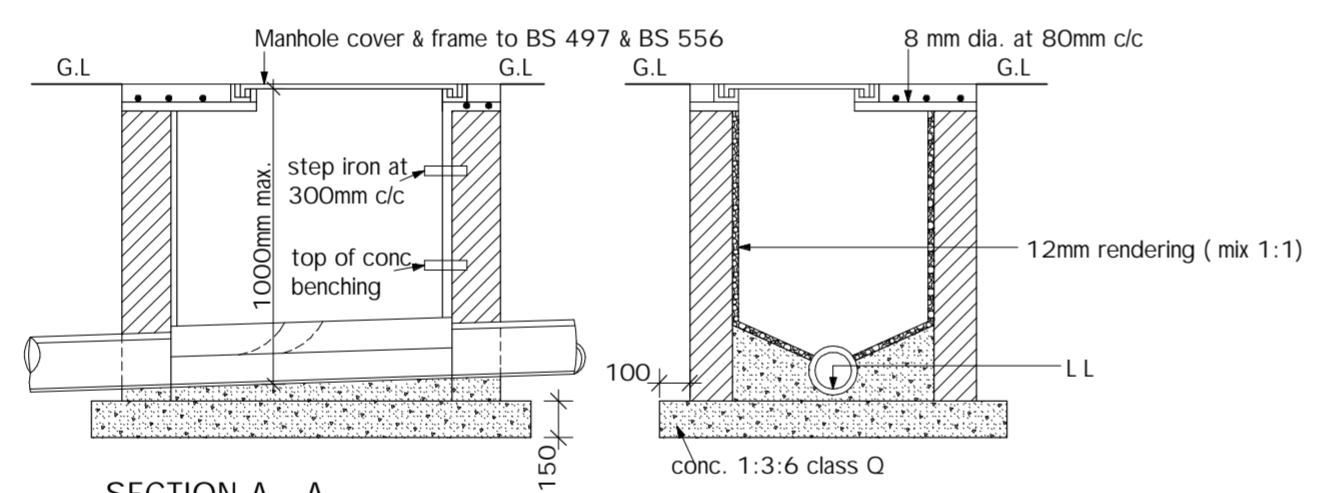


PLAN



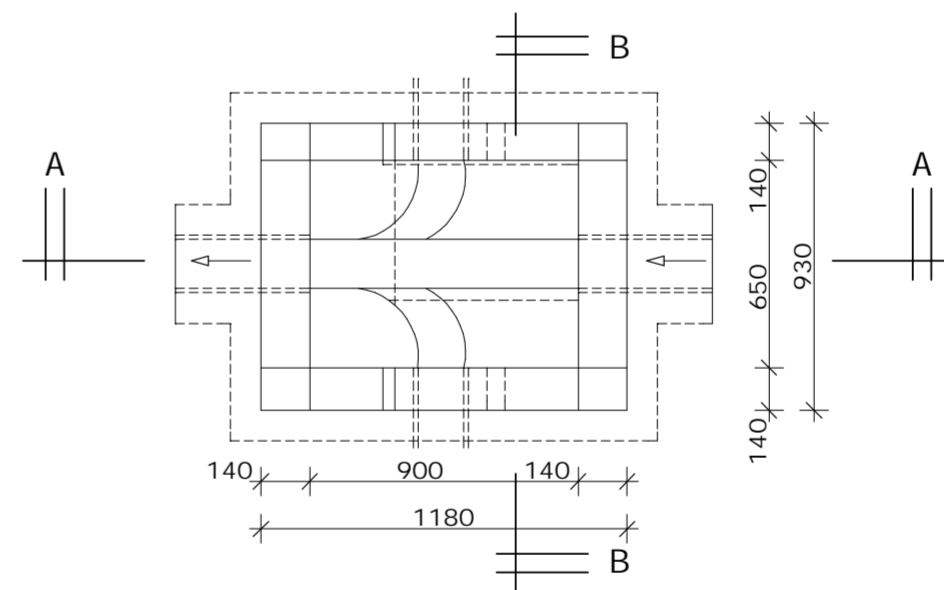
PLAN (Soak pit)

NB.
1. Soak pits to be used on soils with good absorption eg sand, red soil, etc.
2. Depth to be specified



SECTION A - A

SECTION B - B



PLAN (MANHOLE)

NOTES

1. Cover slab to be reinforced with 10mm dia. bar at 100mm c/c (conc. 20 / 20 mix 1:2:4)
2. Base slab to be conc. class mix 1:3:6
3. Outlet and inlet pipes to be 100mm dia. cast iron.
4. Scum baffle to be 100mm thick reinforced with 2 No. 100mm at both ends conc 80(20)
5. Dividing wall to be 100mm thick conc. class 20(20) reinforced with weld mesh No. 65.

TYPE	CAPACITY IN LITRES	No. OF PERSONS	DESLUDGING INTERVAL (YRS)	DIMENSIONS IN MM						
				A	B	C	D	E	F1	F2
A	3000	10	2	800	1000	1000	3000	800	1200	1400
B	6000	20	2	800	1400	1200	3600	1400	1500	1400
C	9000	30	2	800	1400	1200	3600	1800	1500	1400
D	12000	40	2	800	1600	1400	4000	2000	1500	1300
E	15000	50	2	800	1600	1400	4000	2400	1500	1200



KenGen

Job Title:
PROPOSED SELF CONTAINED SINGLE ROOMS FOR TANA POWER STATON STAFF

Drawing Name:
SEPTIC TANK

Drawing Status:
ISSUED FOR CONSTRUCTION

Drawn by: S.A.O. Date: 11.05.2017
Checked by: S.I. Date: 11.05.2017

Drawing Scale:
1:100

Drawing No: KGN/TANA/PRJO17/ARCH2 Status: Revision: **0**