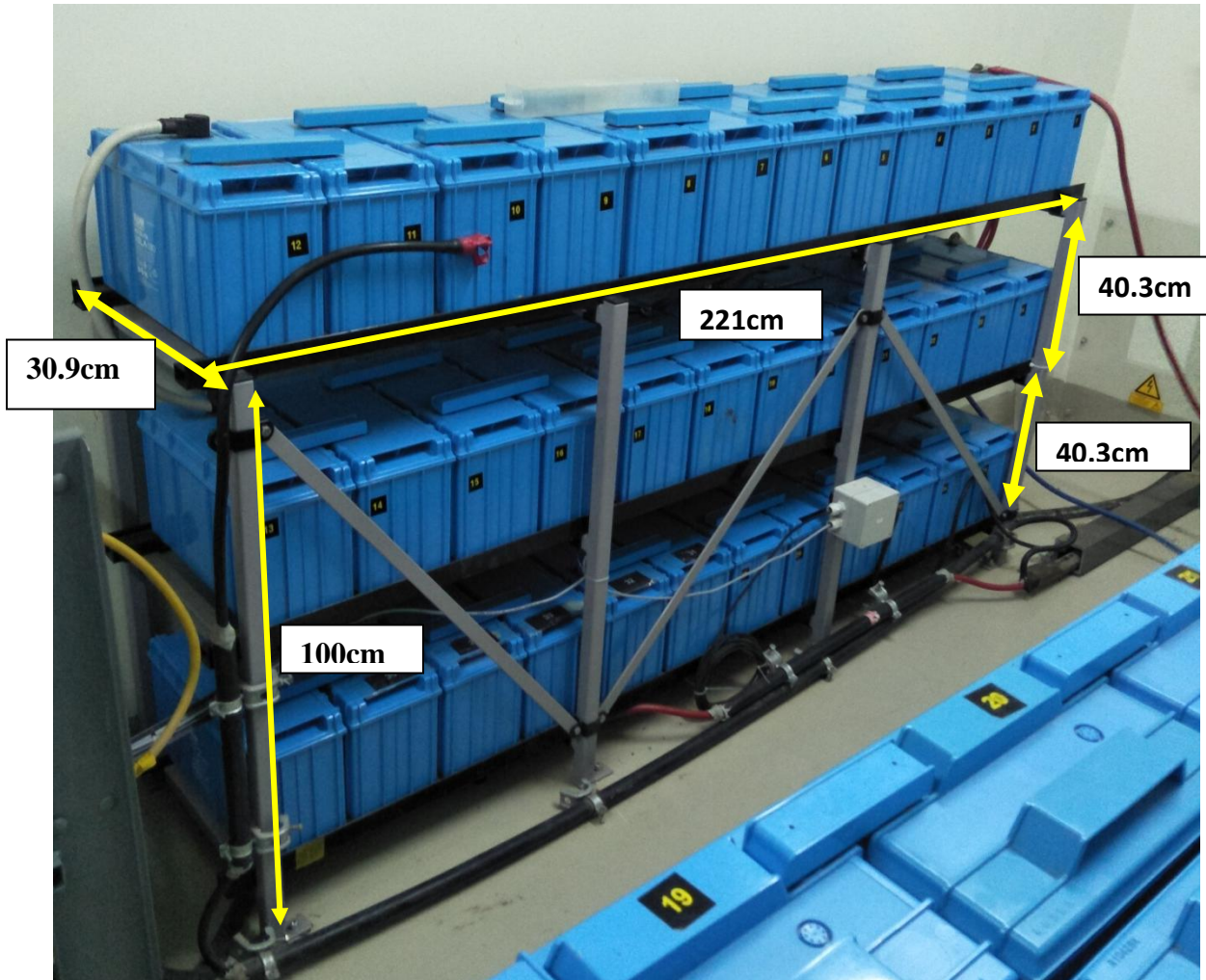
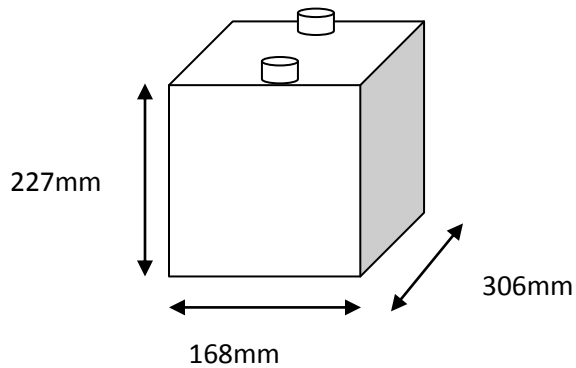


KGN-GDD-053-2018: TENDER FOR SUPPLY, INSTALLATION, TESTING AND COMMISSIONING OF HIGH PERFORMANCE 180 AMPERE HOUR BATTERIES FOR OLKARIA II POWER STATION



The photo above shows the existing battery rack dimensions.

A sketch of the existing battery dimensions in mm.



**Existing batteries
dimensions (in
mm)**

(LxWxH)

306x168x227