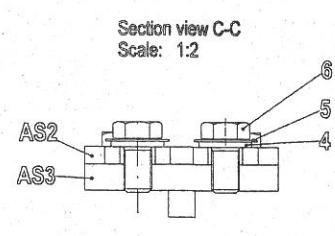
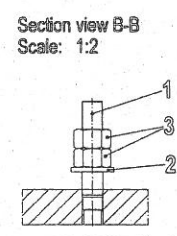
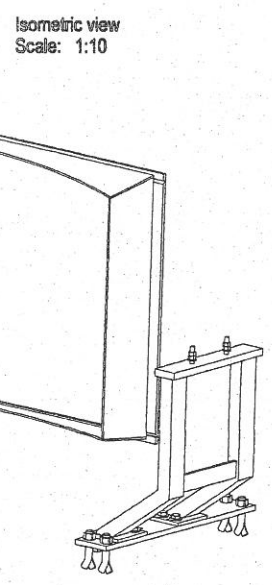
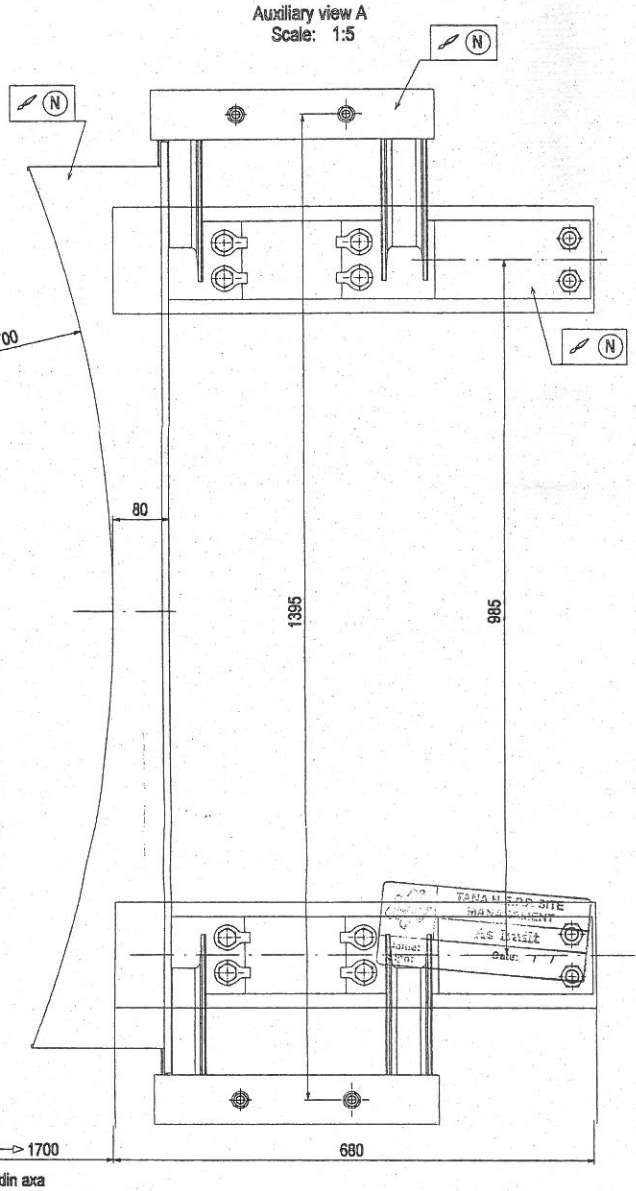
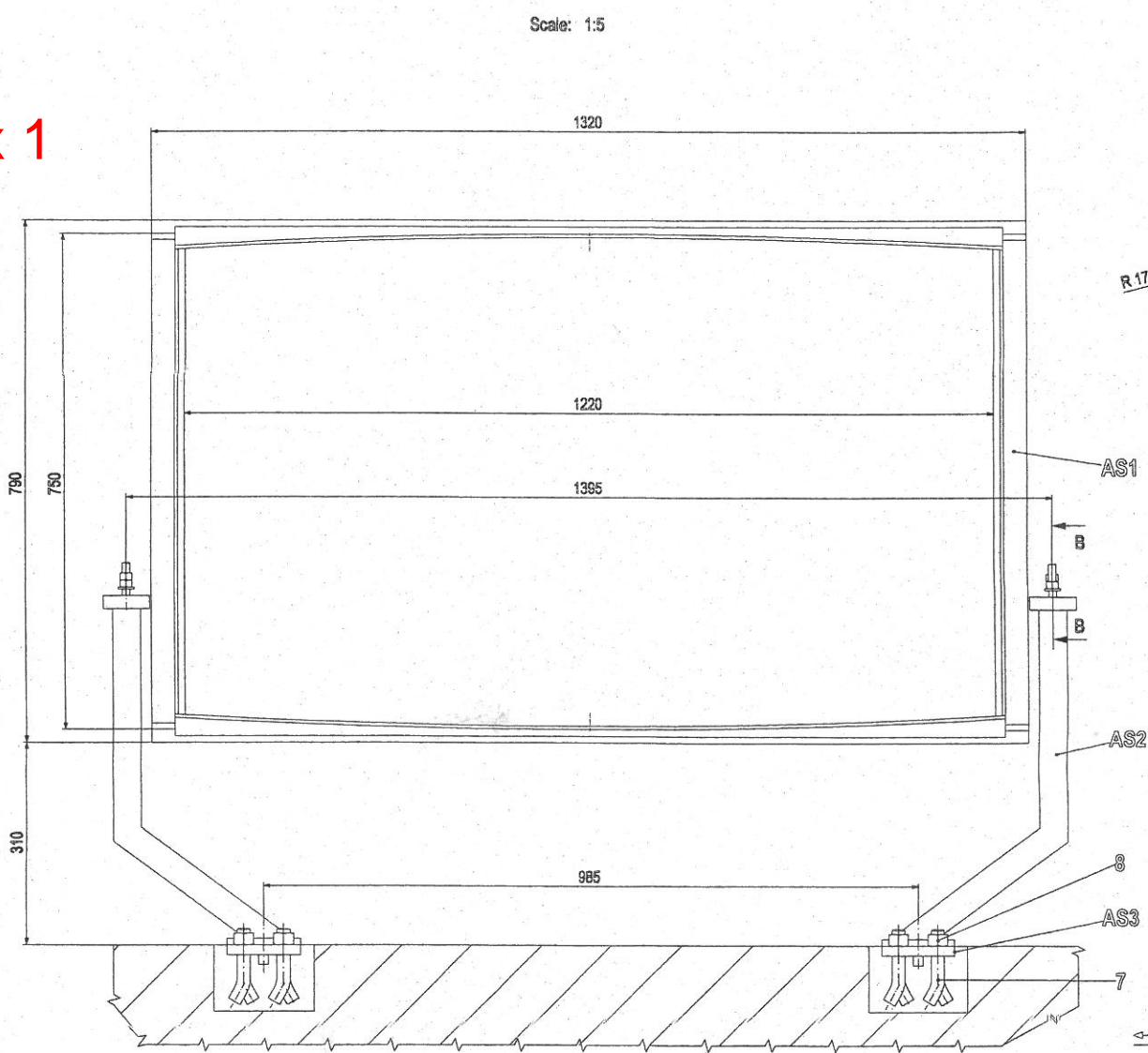
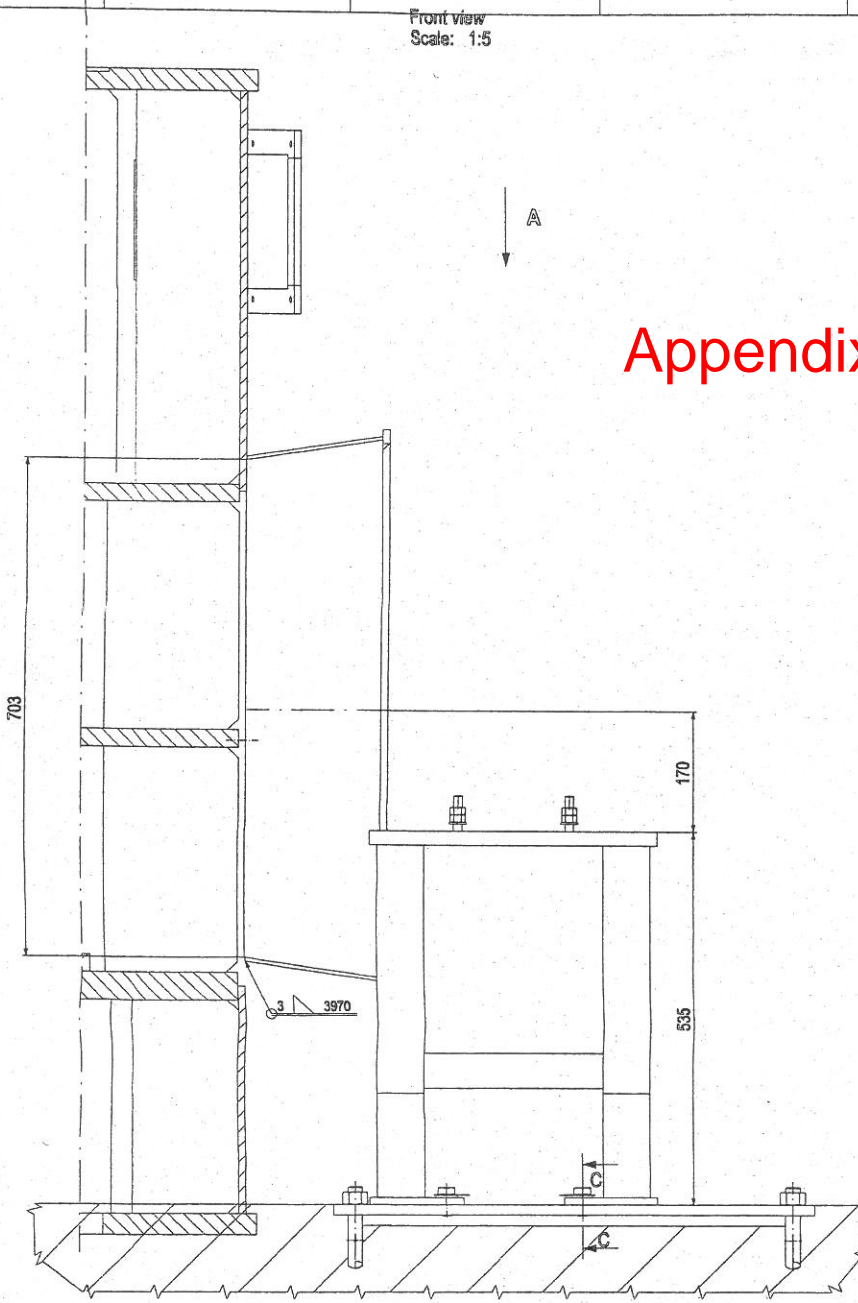


# Appendix 1

Zona Area	Index Symbol	Descrierea/Description	Data Date	Intocrit Prepared	Verificat Checked



(1) External surfaces	3,5
Suprafete exterioare	
Simbol	Suprafata (mp)
Tipul protectiei anticorozive	Suprafata (mp)
Type of corrosion protection	Surface (sqm)
Annex No.:	2
Calat de sarcini vapoare Nr.:	S22208.01.002
Type of corrosion protection No.:	HZTUG-08-G00-201

Clasa de toleranta	0,1	0,2	0,3	0,5	1,0	1,5	2,0	3,0	5,0	10,0	15,0	20,0	30,0	50,0	100,0
f	+0,06	+0,08	+0,1	+0,15	+0,2	+0,3	+0,5	+0,8	+1,2	+2	+3	+5	+8	+12	+20
m	+0,1	+0,1	+0,2	+0,3	+0,5	+0,8	+1,2	+2	+3	+5	+8	+12	+20	+30	+50
e	+0,2	+0,3	+0,5	+0,8	+1,2	+2	+3	+5	+8	+12	+20	+30	+50	+80	+120
v	-0,1	-0,1	-0,2	-0,3	-0,5	-0,8	-1,2	-2	-3	-5	-8	-12	-20	-30	-50

		<b>REDEVELOPMENT OF TANA P.S.</b>	
MAJIN CONTRACTOR		CLIENT: KENYA ELECTRICITY GENERATING COMPANY LIMITED	
FARAB Document No.: HZTUG-01-M35-144		CONSULTANT: FICHTNER	
Tabel comp. nr./Part list No.: PK41257.44.000.900		Borderou Nr./Drw. list No.: BK41257.44.000.900	
PROJECT/PROIECT: TANA HEPP MARAGUA		Nr. Inventar/PDM Doc. ID: CATIA Version: VSR18SP5	
Date/Date: 18.08.2008		Material:	
Intocrit/Prepared: E.Pope		Masa/Weight: 90kg	
Proiectat/Designed: E.Pope		Toleranta/ISO 2768: mK	
Verificat/Checked: eng.P.Laine		Scarza/Scale: 1:5	
Aprobat/Approved: eng.G.Negomreanu		Release: Denumire/Denomination: Montaj racilor Cooler assembly	
Nr. desen/Part Number/Articol number: K41257.44.000.900		Rev. 0	