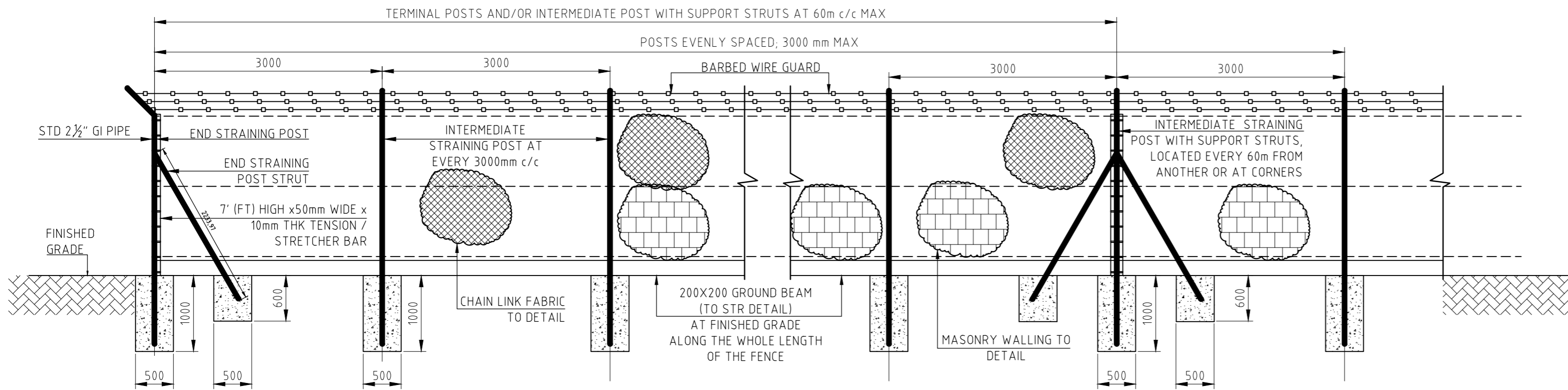


ALL DIMENSIONS AND LEVELS ARE TO BE VERIFIED ON SITE BY THE CONTRACTOR BEFORE COMMENCING ANY WORK.

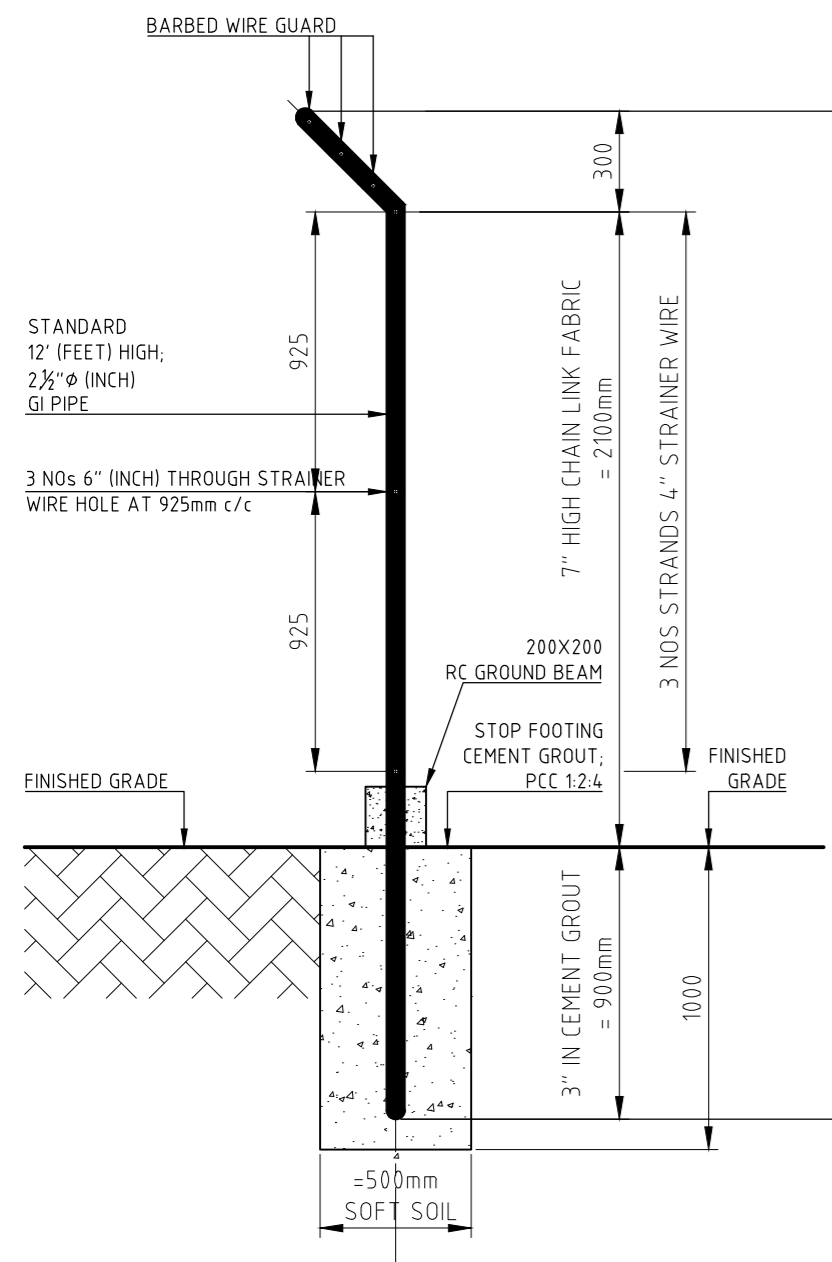
THE COPYRIGHT IN THIS DRAWING, INCLUDING THE DESIGN AND DETAILS SHOWN HEREON, IS RESERVED BY THE ENGINEERS.

THIS DRAWING IS NOT TO BE USED IN WHOLE OR PART OTHER THAN FOR THE INTENDED PURPOSE AND PROJECT AS DEFINED ON THIS DRAWING. REFER TO THE CONTRACT FOR FULL TERMS AND CONDITIONS.

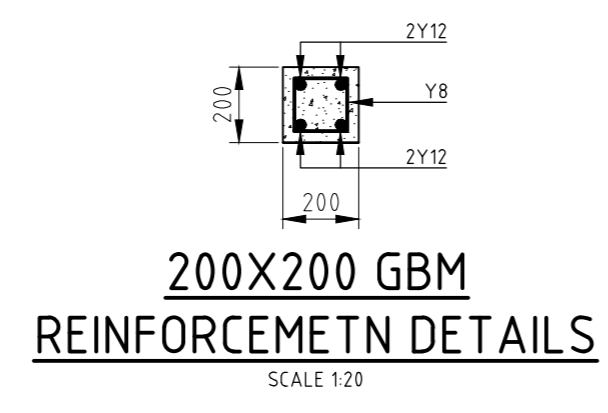


**TYPICAL FENCING DETAIL**  
SCALE 1:50

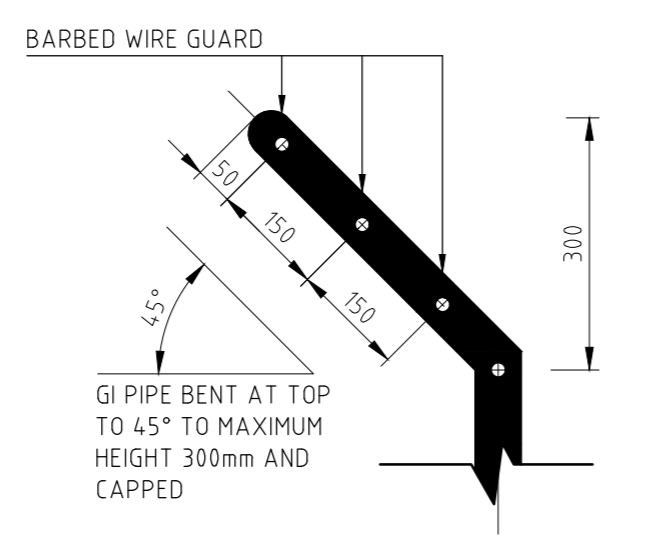
- GENERAL NOTES:**
- 1: ALL CONCRETE TO BE CLASS 25/20
  - 2: REINFORCEMENT TO BE HIGH YIELD RIBBED "T" BARS AND MILD STEEL ROUND "R" AS INDICATED
  - 3: MINIMUM COVER TO REINFORCEMENT TO BE:  
FOUNDATIONS = 50mm  
FLOOR BEAMS = 25mm  
FLOOR SLAB = 20mm  
COLUMNS = 40mm
  - 4: MINIMUM LAPS ARE 50 x DIAMETER OF THE BAR
  - 5: ALL FOUNDATIONS TO BE TAKEN DOWN TO FIRM BEARING STRATA TO ENGINEER'S APPROVAL
  - 6: FOUNDATIONS DESIGNED FOR ALLOWABLE BEARING PRESSURE OF 75 kN/m<sup>2</sup>
  - 7: ALL REINFORCEMENT TO BE INSPECTED BY THE STRUCTURAL ENGINEER BEFORE CONCRETING
  - 8: ALL THE RAIN WATER DOWN PIPES TO BE CO ORDINATED WITH ME DRAWINGS
  - 9: THE STRUCTURAL DRAWING TO BE READ INCONJUNCTION WITH ARCHITECT & M.E DRAWINGS



**TYPICAL LINE POST**  
SCALE 1:25



**200X200 GBM REINFORCEMENT DETAILS**  
SCALE 1:20



**BENT TO LINE POST**  
SCALE 1:10

**SPECIFICATIONS**

1. GI PIPE TO CONFORM TO GENERAL STANDARDS AND SPECIFICATIONS - POST DIAMETERS SHALL BE 2 1/2" (50NB CLASS B PIPE, MEDIUM GAUGE; EQUIVALENT TO CHS 60mm  $\phi$  x 3.65mm THICK PIPES); ~~3" - 65NB CLASS B PIPES TO BE CONSIDERED FOR TERMINAL AND CORNER POSTS}}~~
2. ALL GI PIPES POSTS TO BE FABRICATED TO A MINIMUM HEIGHT OF 3500mm (12 FEET) AND BENT TO 45° AT TOP AS INDICATED IN THE DRAWING.
3. LINE POST TO BE REINFORCED BY GI PIPES POSTS STRUTS DIAMETER- 2 1/2" (INCH); MAX/MIN LENGTH 2200mm (8 FEET)
4. ON LONG RUNS (MAX 60mm) AND ON CORNER/TERMINAL POSTS, PROVIDE BRACED PULL POSTS AS REQUIRED FOR PROPER STRETCHING OF CHAIN LINK FABRIC MESH
5. TENSION/STRETCHER FLAT BARS TO BE 9mm THICK, 40mm WIDE (9x40) & 7 FEET HIGH AND TO BE INSTALLED ON ALL CORNER POSTS AND ALL LINE POSTS WITH STRUTS ON LONG RUNS (MAX 60mm); TENSION BANDS AT MAX 300mm c/c
6. CHAIN-LINK SPECIFICATION: 7FEET HIGH; 4mm WIRE
7. STRAINER WIRE AND TENSION BAND SPECIFICATION: 4mm WIRE
8. THIS DRAWING SHALL NOT BE USED TO DETERMINE THE POSITION OF THE FENCE LINE AND THUS, SHALL NOT BE SCALED FOR SUCH PURPOSE.
9. THE FENCE LINE SHALL BE DETERMINES ON SITE AND ITS LOCATION, THUS, BEFORE WORKS COMMENCE SHALL BE DETERMINED BY THE GIS-TEAM WHO SHALL CONTINUOUSLY SURVEY THE LINE AS THE WORKS PROGRESS

**LEGEND**

- CHAIN LINK FENCE OUTLINE**
- TENSION WIRE**
- BARBED WIRE**

Appd	Chd	Details	Date
		Revisions	

CLIENT

**KENGEN STEAMFIELD SECTION**

APPROVALS	NAME	SIGN
DESIGNED BY	NO	
DRAWN BY	NO	
CHECKED BY	NO	
APPROVED BY		

Project

PROPOSED PERIMETER FENCING OF OLKARIA STAFF HOUSES

Description

FENCING DETAILS

Scale 1:10,25 Date MARCH 2018

Project No STEAMFILED/001 / Drg. No S01