

LEGEND CONT.

○ KEY FREE DEVICE
○ KEY TRAPPED
○ DEVICE CLOSED
○ KEY FREE DEVICE
○ OPEN OR CLOSED

INTERLOCKS

NOTES

1. * ITEM OF ABC/LW EQUIPMENT
2. (A) - ALARM CONDITION
3. THIS RELAY TO BE VOLTAGE CONTROLLED IF REQUIRED BY GENERATOR CHARACTERISTICS

INSTRUMENTS

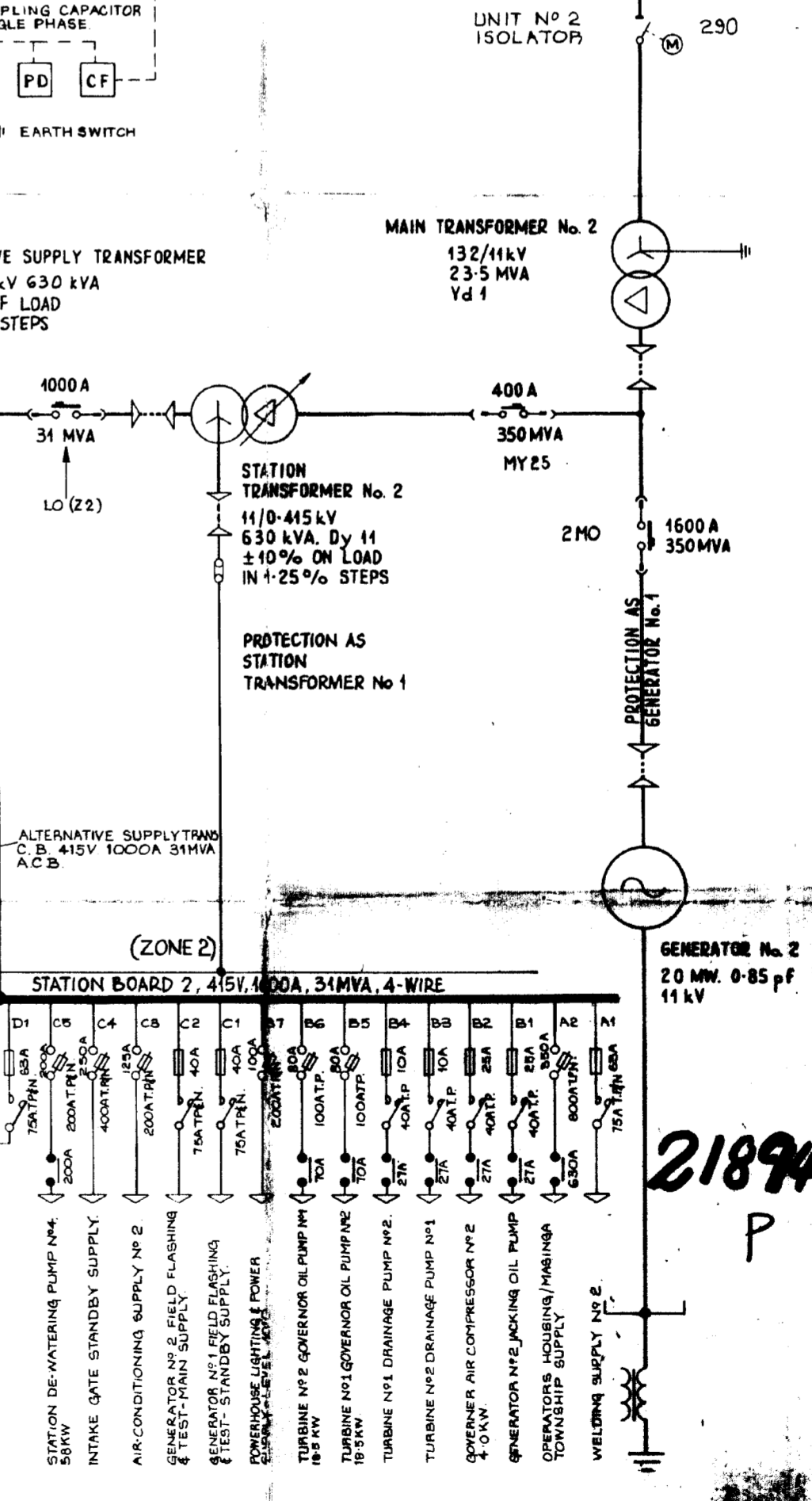
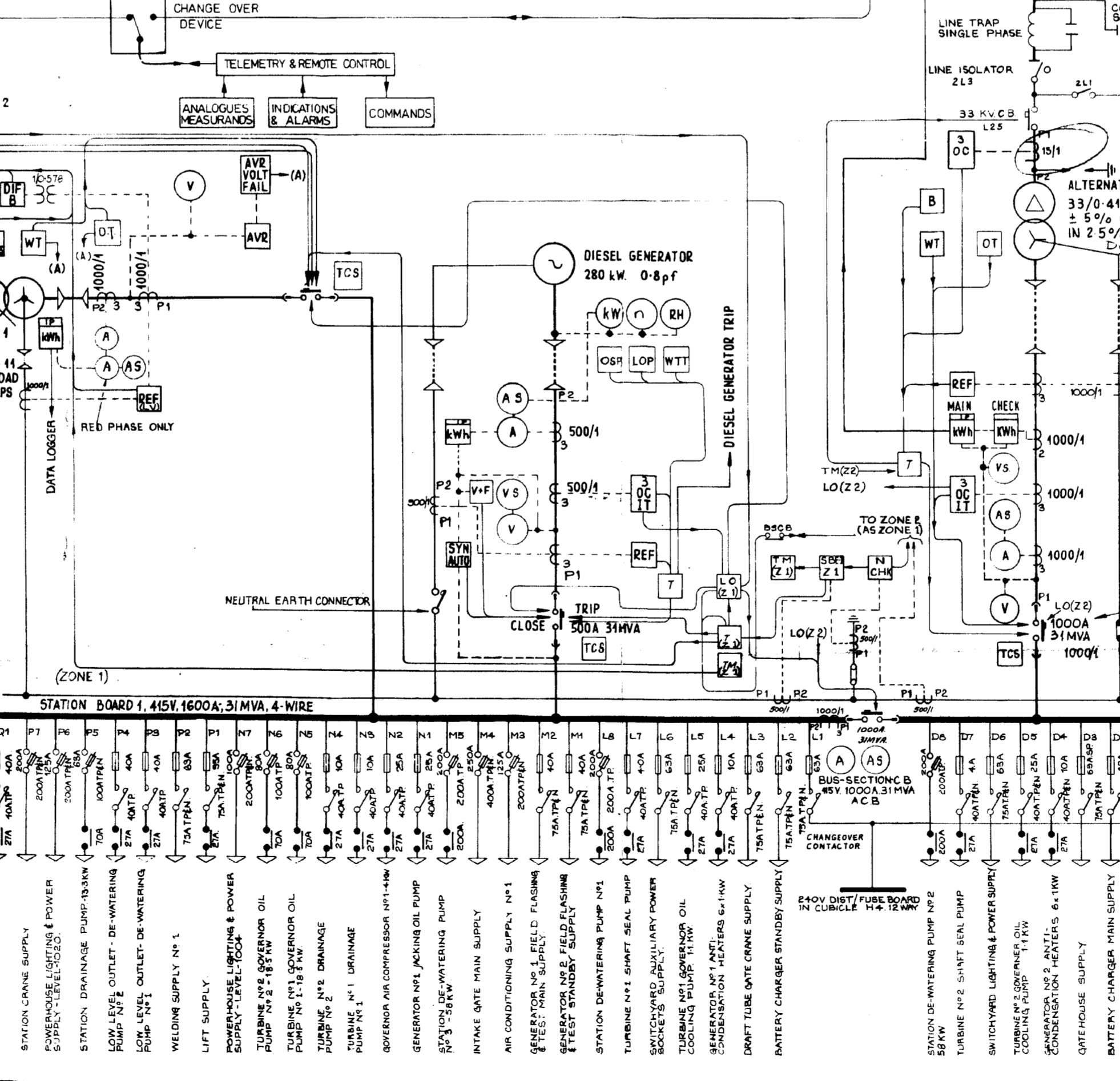
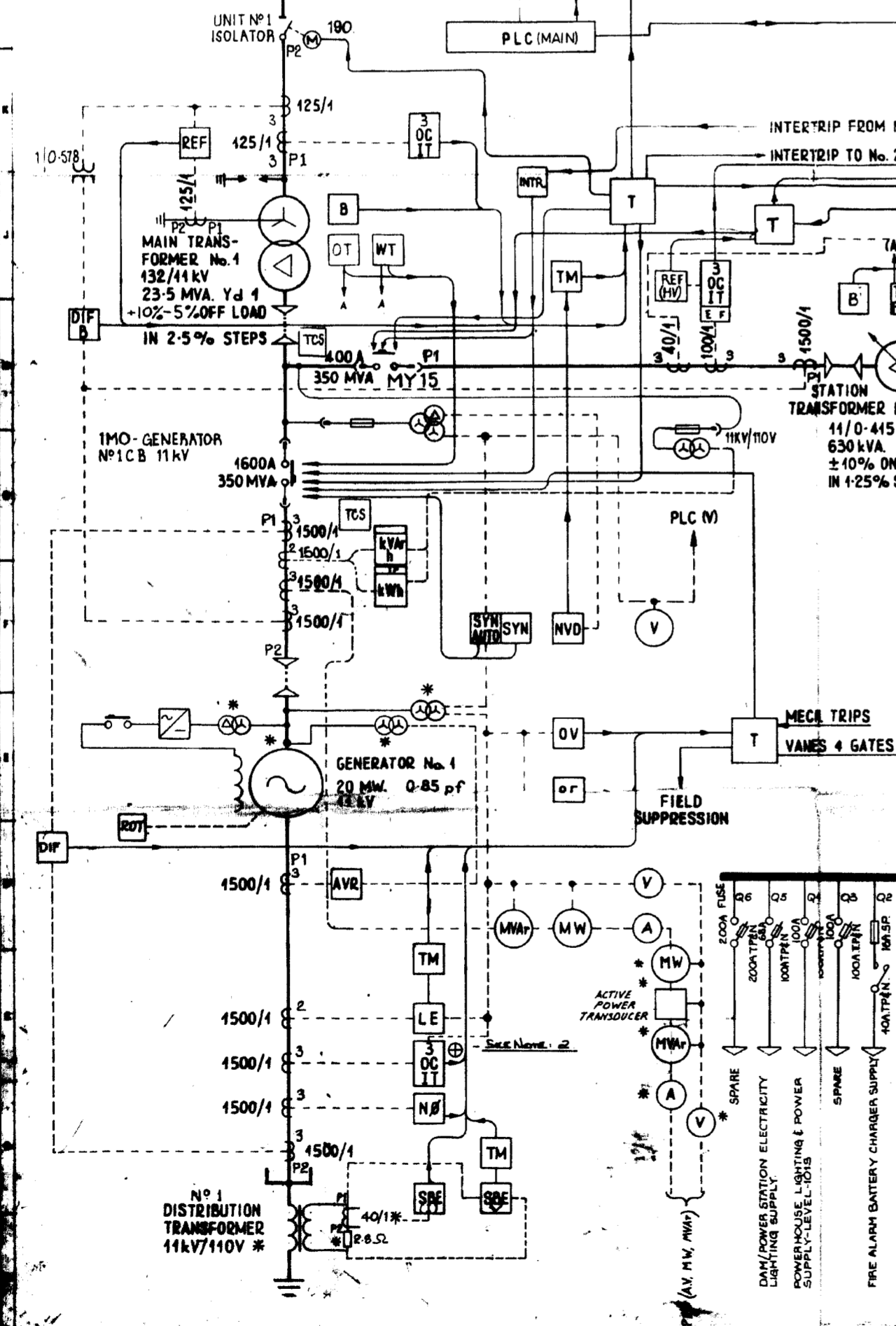
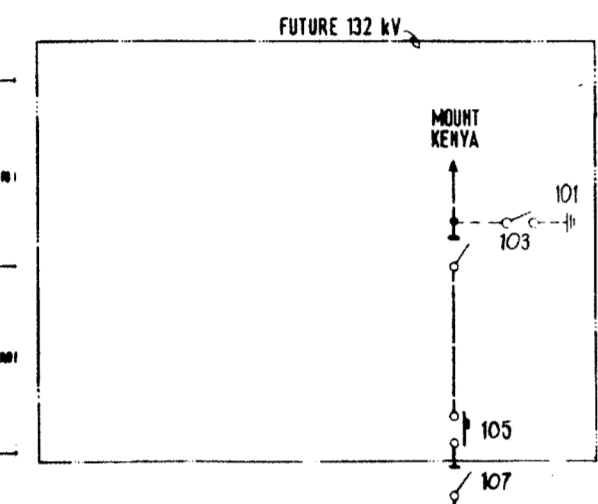
LOP LOW OIL PRESSURE
OSP OVERSPEED
VFM VOLT & FREQUENCY MONITOR
WTT WATER TEMPERATURE
NCH NEUTRAL CHECK

INSTRUMENTS

Z1 ZONE ONE
AS AMMETER
KW KILOWATTS
MVA MEGAVOLTS
MVAH MEGAVATT HOURS
MWH MEGAWATT HOURS
IMP IMPORT
EXP EXPORT
P PULSE TRANSMITTER

LEGEND

DIF DIFFERENTIAL
P.D. PROTECTIVE DEVICE
3E THREE-ELEMENT OVERCURRENT INVERSE TIME (SEE NOTES)
INTR INTERTRIP RECEIVE
B.B.P. BUS BAR PROTECTION (DISCRIMINATED)
B BUCHHOLZ
WT WINDING TEMPERATURE
Z IMPEDANCE PROTECTION
TM TIMING DELAY
DIF B BIASSED DIFFERENTIAL
REF RESTRICTED EARTH FAULT
SBE STANDBY EARTH FAULT (CURRENT)
NVD NEUTRAL VOLTAGE DISPLACEMENT
OV OVERVOLTAGE
LE LOST EXCITATION
B.B.P. BUS-BAR PROTECTION (CHECK)
N.P. NEGATIVE PHASE SEQUENCE
AVR AUTOMATIC VOLTAGE REGULATOR
SYN SYNCHRONISING
T TRIPPING
OF OVER FREQUENCY
IT EARTH FAULT INVERSE TIME
E.F. EARTH FAULT INSTANTANEOUS
AR AUTORECLOSE RELAY
T.C.P. TAP CHANGE OIL SURGE
PLC POWER LINE CARRIER EQUIPMENT
RH RUNNING HOUR METER
MVA MEGAVARS
MW MEGAWATTS
A AMMETER
V VOLTMETER
T TACHOMETER
MVAH MEGAVATT HOURS
MWH MEGAWATT HOURS
WH ENERGY METER WITH PULSE TRANSMITTER
C.F. COUPLING FILTER
OCI OVERCURRENT INVERSE TIME
BT BALANCING TRANSFORMER
FF FUSE FAILURE
TCS TRIP CIRCUIT SUPERVISION
LO LOCKOUT



21894 P

TANA RIVER DEVELOPMENT AUTHORITY

UPPER RESERVOIR SCHEME

UPPER RESERVOIR STATION KEY DIAGRAM 132KV, 141KV & 415V ELECTRICAL CONNECTIONS

REVISIONS

NO.	DESCRIPTION
1	As Issued
2	As Issued
3	As Issued
4	As Issued
5	As Issued
6	As Issued
7	As Issued
8	As Issued
9	As Issued
10	As Issued
11	As Issued
12	As Issued
13	As Issued
14	As Issued
15	As Issued
16	As Issued
17	As Issued
18	As Issued
19	As Issued
20	As Issued
21	As Issued
22	As Issued
23	As Issued
24	As Issued
25	As Issued
26	As Issued
27	As Issued
28	As Issued
29	As Issued
30	As Issued
31	As Issued
32	As Issued
33	As Issued
34	As Issued
35	As Issued
36	As Issued
37	As Issued
38	As Issued
39	As Issued
40	As Issued
41	As Issued
42	As Issued
43	As Issued
44	As Issued
45	As Issued
46	As Issued
47	As Issued
48	As Issued
49	As Issued
50	As Issued
51	As Issued
52	As Issued
53	As Issued
54	As Issued
55	As Issued
56	As Issued
57	As Issued
58	As Issued
59	As Issued
60	As Issued
61	As Issued
62	As Issued
63	As Issued
64	As Issued
65	As Issued
66	As Issued
67	As Issued
68	As Issued
69	As Issued
70	As Issued
71	As Issued
72	As Issued
73	As Issued
74	As Issued
75	As Issued
76	As Issued
77	As Issued
78	As Issued
79	As Issued
80	As Issued
81	As Issued
82	As Issued
83	As Issued
84	As Issued
85	As Issued
86	As Issued
87	As Issued
88	As Issued
89	As Issued
90	As Issued
91	As Issued
92	As Issued
93	As Issued
94	As Issued
95	As Issued
96	As Issued
97	As Issued
98	As Issued
99	As Issued
100	As Issued