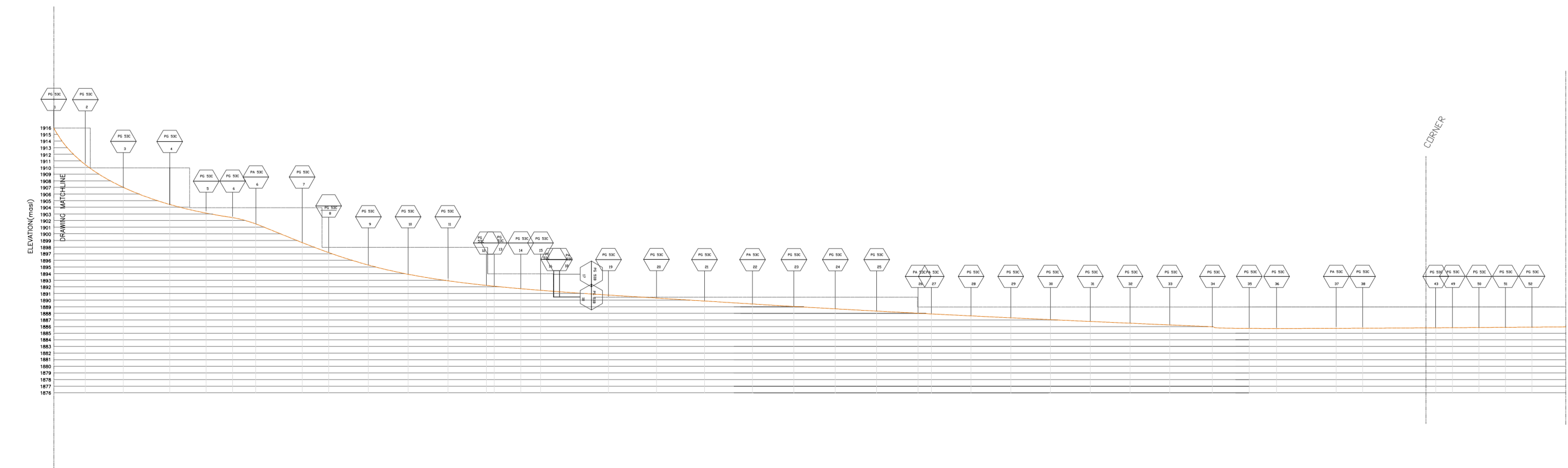
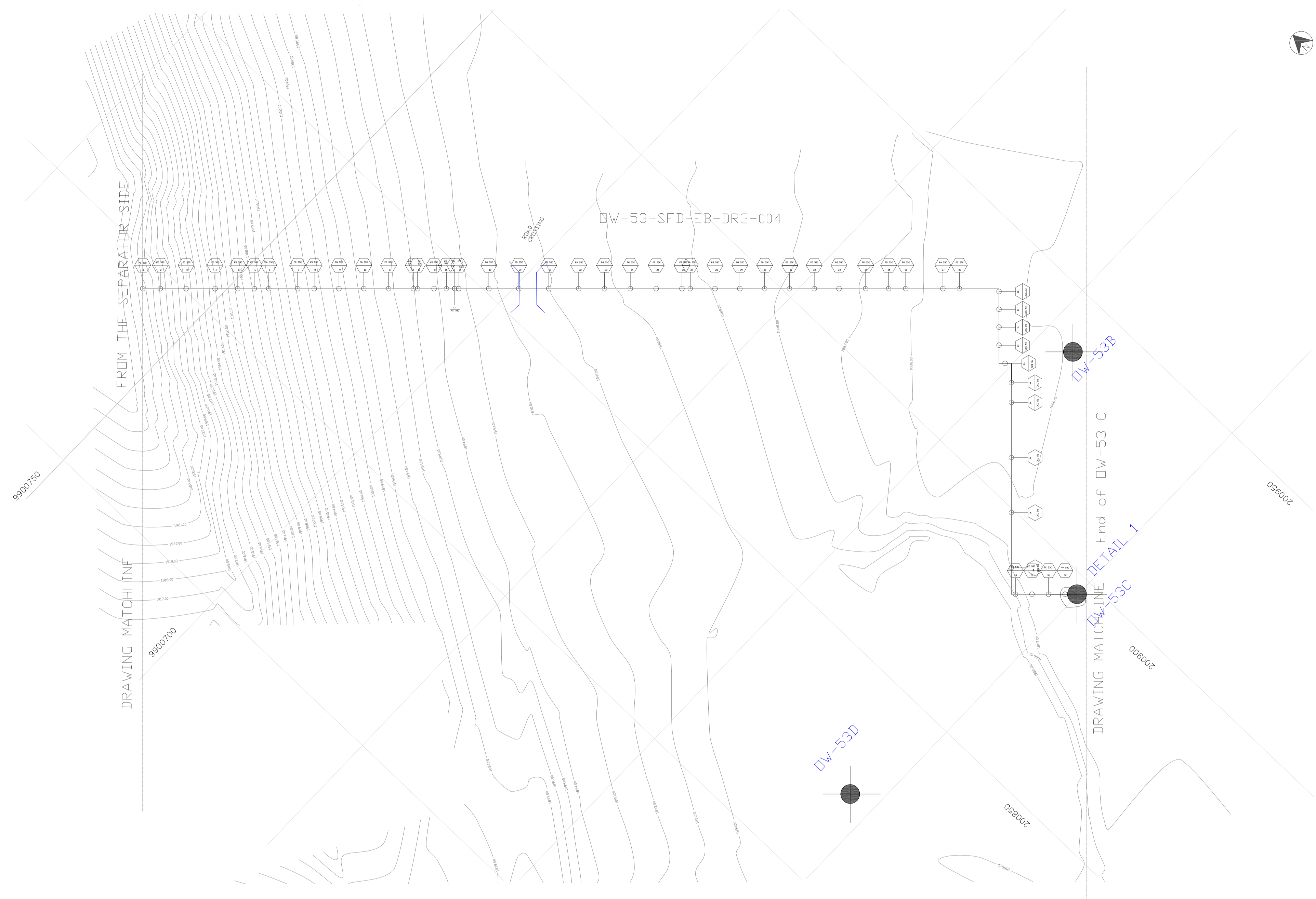
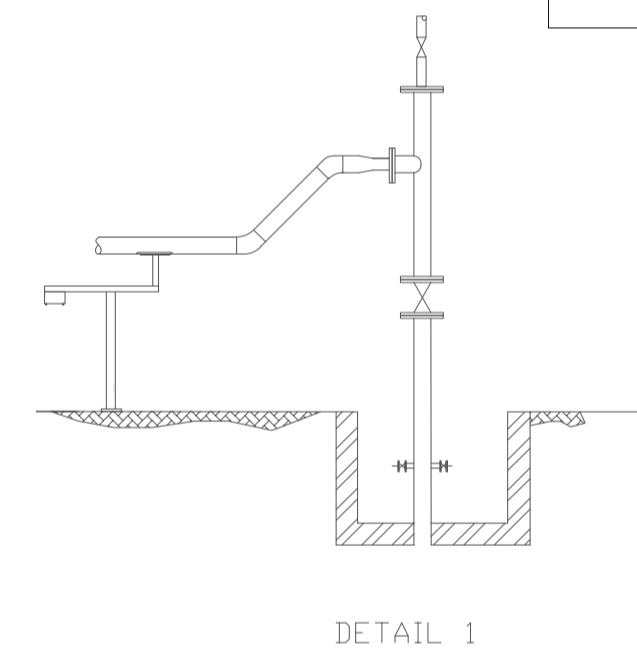


Support Name	Eastings	Northings	Elevation
1	200792.891	9900712.827	1916.21
2	200795.908	9900709.335	1910.18
3	200800.194	9900704.731	1906.74
4	200805.115	9900699.651	1904.66
5	200808.608	9900696.000	1903.50
6	200811.306	9900693.142	1902.48
7	200813.846	9900690.443	1901.80
8	200818.291	9900685.840	1902.48
9	200820.990	9900682.982	1901.80
10	200825.276	9900678.855	1895.50
11	200829.245	9900674.568	1894.50
12	200833.373	9900669.806	1894.00
13	200837.513	9900665.791	1893.50
14	200838.307	9900664.865	1892.80
15	200840.953	9900662.087	1892.80
16	200843.136	9900659.838	1892.50
17	200844.326	9900658.515	1892.30
18	200845.186	9900657.589	1892.00
19	200844.525	9900658.449	1892.00
20	200850.081	9900652.495	1895.00
21	200854.910	9900647.402	1891.20
22	200860.003	9900642.044	1890.50
23	200864.964	9900636.885	1890.50
24	200869.131	9900632.585	1890.32
25	200873.364	9900628.088	1890.11
26	200877.664	9900623.523	1889.92
27	200881.963	9900619.026	1889.72
28	200883.352	9900617.636	1889.54
29	200887.387	9900613.271	1889.21
30	200891.555	9900609.038	1888.88
31	200895.722	9900604.606	1888.56
32	200899.889	9900600.174	1888.48
33	200904.056	9900596.007	1888.28
34	200907.959	9900591.641	1888.11
35	200912.589	9900586.945	1887.90
36	200916.558	9900582.910	1887.72
37	200919.468	9900579.867	1886.82
38	200925.355	9900573.583	1886.61
39	200927.935	9900570.871	1886.32
40	200933.293	9900564.058	1886.00
41	200930.448	9900561.148	1886.00
42	200927.406	9900558.237	1886.00
43	200924.165	9900555.592	1886.00
44	200922.312	9900551.226	1886.00
45	200919.997	9900546.596	1886.00
46	200916.624	9900543.288	1886.00
47	200897.614	9900525.191	1886.00
48	200907.297	9900534.240	1886.00
49	200884.596	9900510.745	1886.00
50	200886.977	9900508.205	1886.00
51	200889.835	9900505.188	1886.00



PROJECT NAME
CONNECTION OF MAKE UP WELLS
DW-53B, DW-53C AND DW-53D AT
DLKARIA GEOTHERMAL PROJECT

DRAWING TITLE
PLAN AND PROFILE SHEET 3

DRAWING NAME
DW-53-SFD-EB-DRG-005

Date
24/03/2019

Scale
1:1