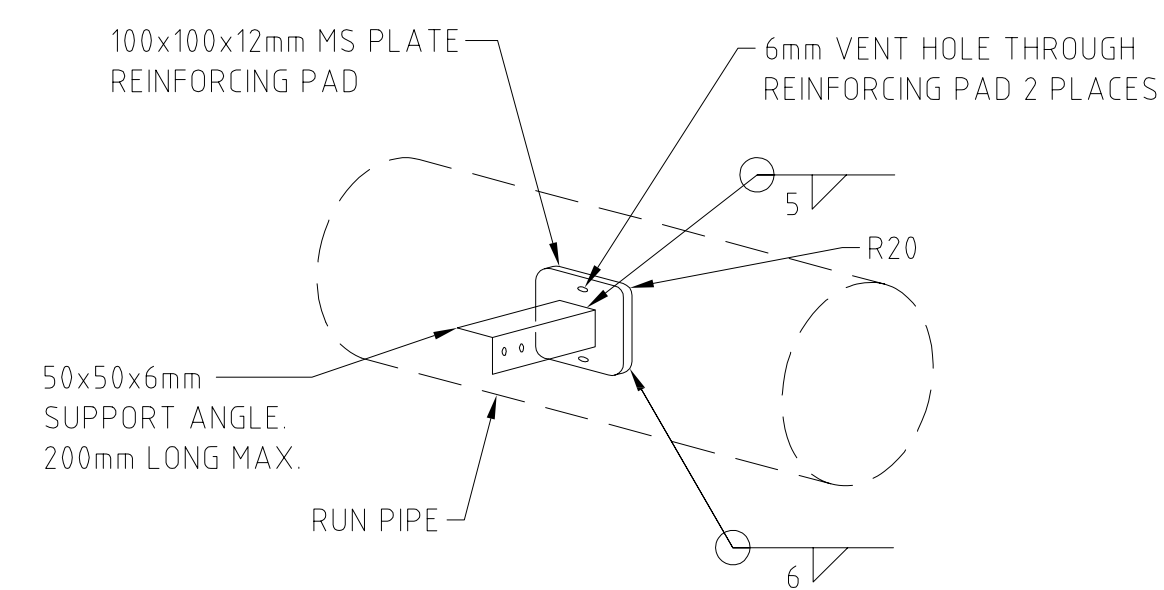


HPV HIGH POINT VENT

HPVA HIGH POINT VENT
FOR LOCATIONS WHERE ROOT VALVE IS NOT ACCESSIBLE, USE ONLY WHEN DIRECTED BY THE ENGINEER



DETAIL A

FIX SUPPORT TO EITHER:


- a. EXISTING STRUCTURE - PIPE/INSTRUMENT SUPPORT, PLATFORM OR SIMILAR (WITH SUITABLE ALLOWANCE FOR THERMAL MOVEMENT OF THE RUN PIPE) OR
- b. PIPE WALL USING REINFORCING PAD (AS SHOWN).

BILL OF MATERIALS (NOTES 3, 5)					
ITEM	QUANTITY (NOTE 3)		SIZE (DN)	MATERIAL	DESCRIPTION
	HPV	HPVA			
1	1	1	40	A105	SOCKOLET, DN RUN PIPE x DN40, CL6000
2	3	2	40	API-5L-B OR APPROVED EQUIVALENT	PIPE NIPPLE, SMLS, PBE, SCH40, 100mm LONG
3	1	1	40	-	GATE VALVE, SW, CL800 REFER DATASHEET
4	1	-	40	A105	ELBOW, 90°, SW, CL3000
5	-	1	40x25	-	REDUCING INSERT, SW, CL3000
6	-	1	25	API-5L-B OR APPROVED EQUIVALENT	PIPE NIPPLE, SMLS, PBE, SCH 40, 100mm LONG
7	-	3	25	A105	ELBOW, 90°, SW, CL3000
8	-	2	25	API-5L-B OR APPROVED EQUIVALENT	PIPE, SMLS, PBE, SCH 40, LENGTH TO SUIT
9	-	2	25	API-5L-B OR APPROVED EQUIVALENT	PIPE, SMLS, POE x TOE, NPT, SCH40, LENGTH TO SUIT
10	-	1	25	-	GATE VALVE THD NPT CL800, REFER DATASHEET

NOTES:

1. FOR GENERAL NOTES AND LEGEND REFER TO DRAWING
2. REFER TO RELEVANT PIPING LAYOUT DRAWING FOR PIPE SPECIFICATION/CLASS OF TAPPING AND RUN PIPE.
3. QUANTITIES LISTED ARE REFERENCED FROM REQUIRED COMPONENTS FOR EACH ASSEMBLY AS SHOWN ON THIS DRAWING ONLY. OPTIONAL COMPONENTS TO SUIT SPECIFIC LOCATIONS HAVE NOT BEEN INCLUDED.
4. EDGE OF PENETRATION HOLE INTO RUN PIPE MUST BE CLEAN AND SQUARE OR ROUNDED SLIGHTLY, FREE FROM BURRS, WIRE EDGES OR OTHER IRREGULARITIES.
5. REFER TO PIPE SPECIFICATIONS AND VALVE DATASHEETS FOR FULL DETAILS.

FIRM NAME AND ADDRESS



PROJECT NAME AND ADDRESS

CONNECTION OF MAKE UP WELLS OW-53B, OW-53C AND OW-53D AT OLKARIA GEOTHERMAL PROJECT

DRAWING TITLE

STANDARD DETAILS
HIGH POINT VENTS
CLASS 150 & 300 PIPING

DRAWING No.
OW-53-SFD-EB-DRG-014

Date
24/03/2019

Scale
As noted