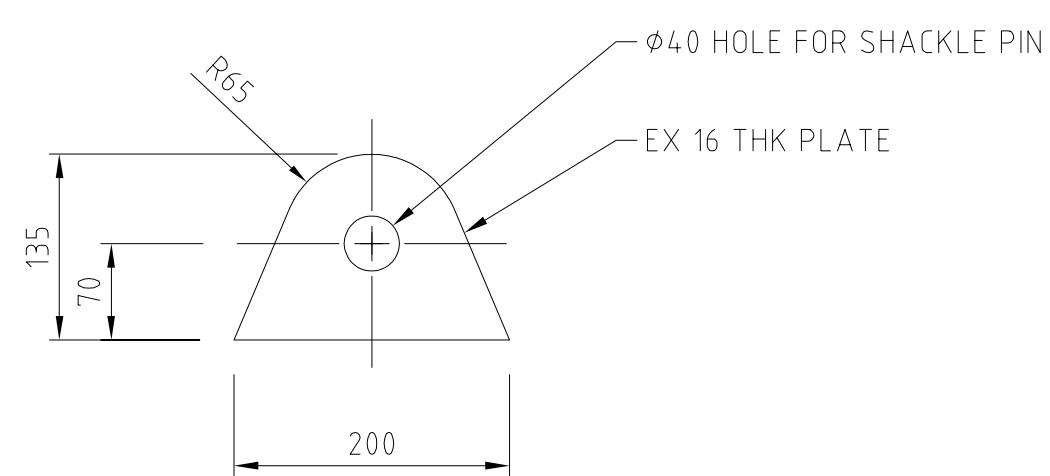
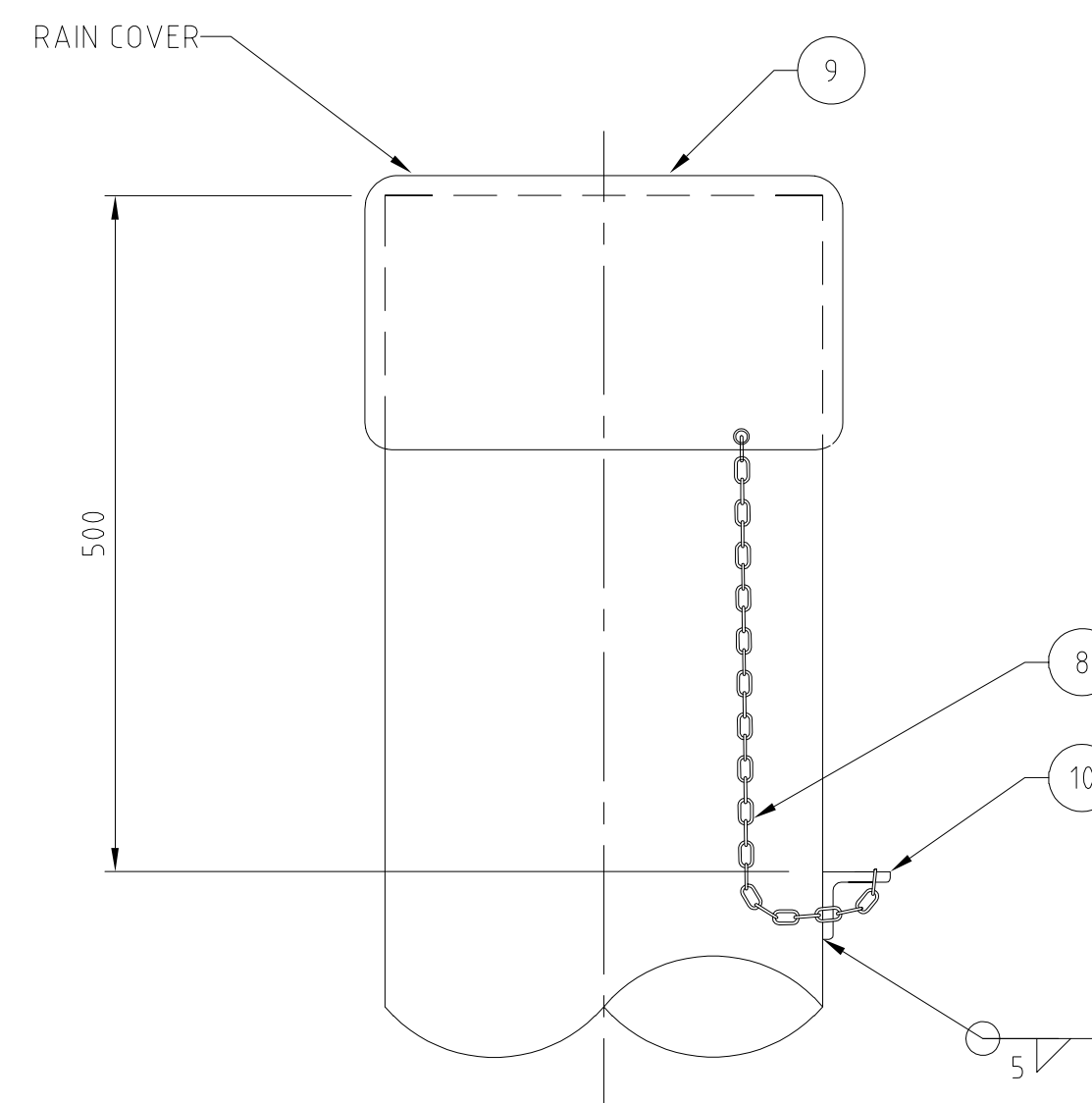


RUPTURE DISC VENT ARRANGEMENT
N.T.S. (RD)



LIFTING LUG DETAIL 'B'
N.T.S.




DETAIL A
N.T.S.
SECTION VIEW SHOWN FOR CLARITY

BILL OF MATERIALS				
ITEM	QUANTITY (NOTE 3)	SIZE (DN)	MATERIAL	DESCRIPTION
1	1	200	A105	WELDOLET, DN RUN PIPE SCHEDULE x DN200 SCH 40
2	1	200 x 150	A234-WPB	REDUCER, CONC, DN200 SCH40 x DN150 SCH40
3	2	150	A105	FLANGE, WN, RF, CL 150
4	2	150	316SS	GASKET, CL150, 3mm THK, WITH TYPE 316 METAL WINDING AND INNER RING, CS CENTERING RING AND FLEXIBLE GRAPHITE FILLER MATERIAL
5	1	150	REFER DATASHEET	RUPTURE DISC, DISC HOLDERS AND ACCESSORIES, CL 150,
6	1	-	A193-B7, A194-ZH	BOLT SET, STUD BOLT W/2 HEAVY HEX NUTS, UNC, 7/8" x LENGTH TO SUIT x 12/SET
7	2	150	API-5L-B	PIPE, SAW, BBE, STD, LENGTH TO SUIT
8	1	-	GRADE 80 (NOTE 6)	CHAIN, 8mm BAR DIA, LENGTH TO SUIT
9	1	-	-	CAP, HIGH TEMPERATURE RESISTANCE, WATER PROOF FABRIC
10	1	-	A36	ANGLE, 50x50x8mm, 50mm LONG
11	2	-	A36	LIFTING LUG, SIZE AS SHOWN

NOTES:

- FOR GENERAL NOTES AND LEGEND REFER TO DRAWING
- REFER PIPE SPECIFICATION FOR DETAILS OF MAIN LINE PIPE.
- THIS RUPTURE DISC VENT ARRANGEMENT TO BE USED AT SEPARATOR STATIONS ONLY.
- PIPING TO BE PAINTED WHERE NOT INSULATED.
- FOR PIPE SHOE DETAILS REFER TO DRAWING
- CHAIN MATERIAL AS PER NACM OR APPROVED SPECIFICATION.

Firm Name and Address 	
Project Name and Address CONNECTION OF MAKE UP WELLS OW-53B, OW-53C AND OW-53D AT OLKARIA GEOTHERMAL PROJECT	
Drawing Title STANDARD DETAILS RUPTURE DISC VENT ARRANGEMENT SEPARATOR STATIONS	
Drawing No. OW-53-SFD-EB-DRG-016	
Date 24/03/2019	
Scale As noted	