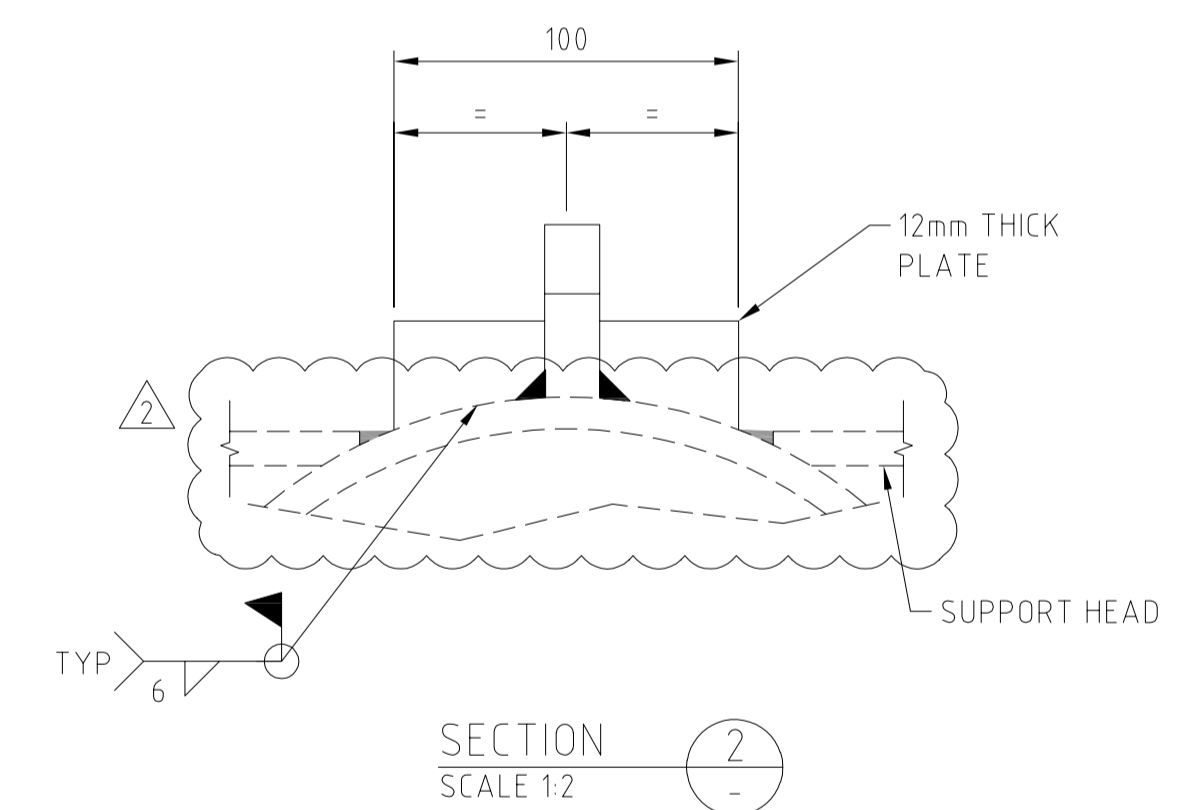
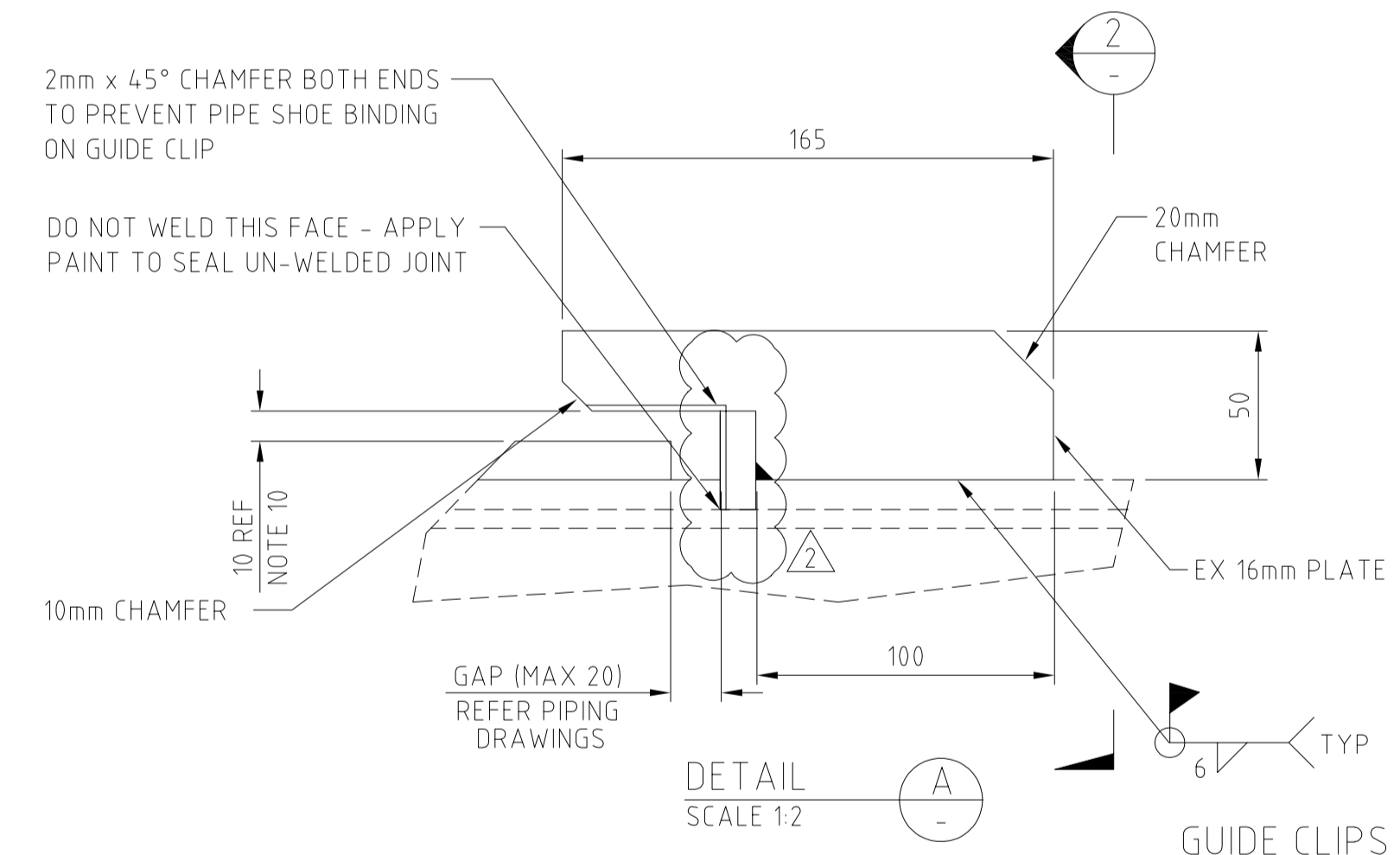
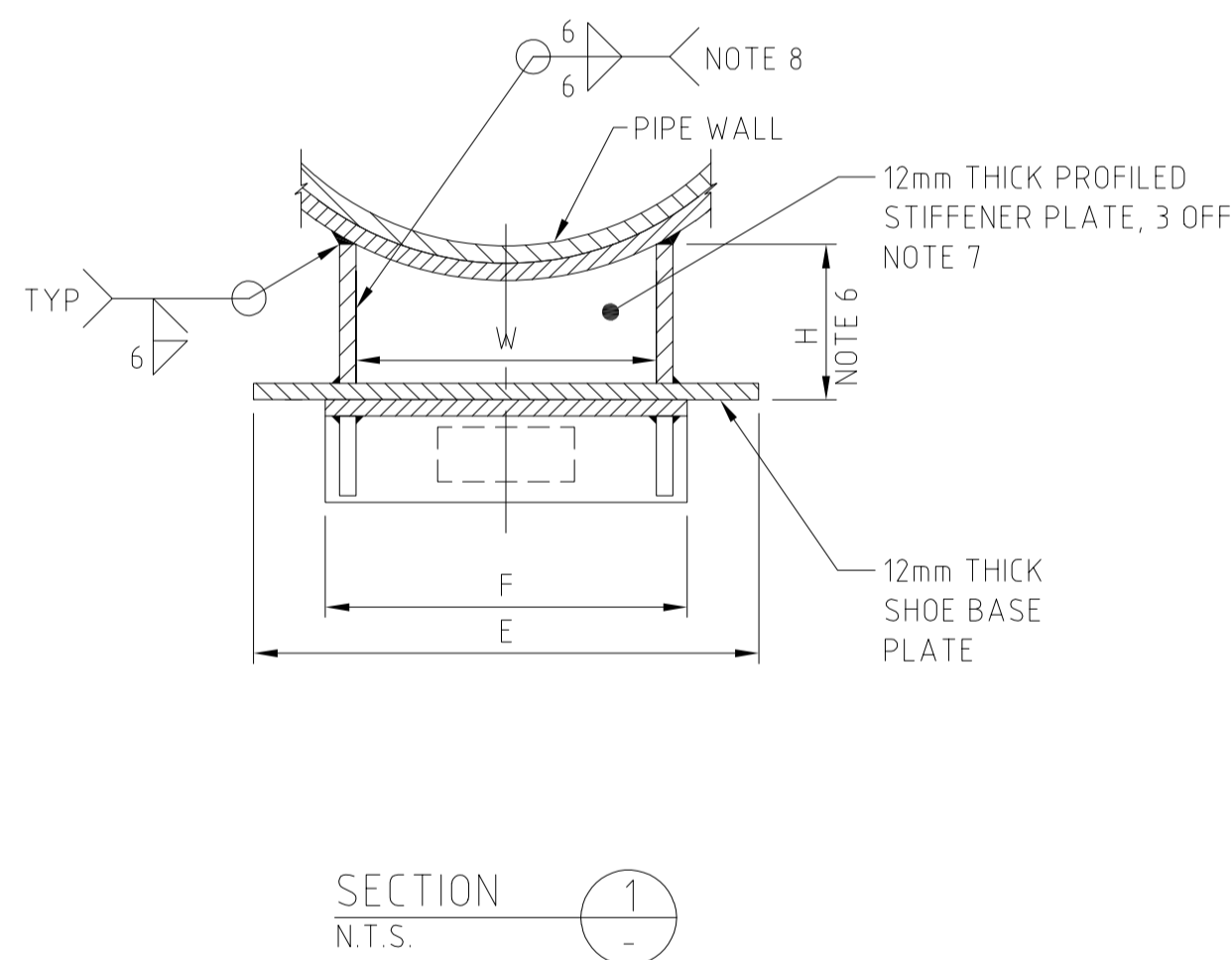
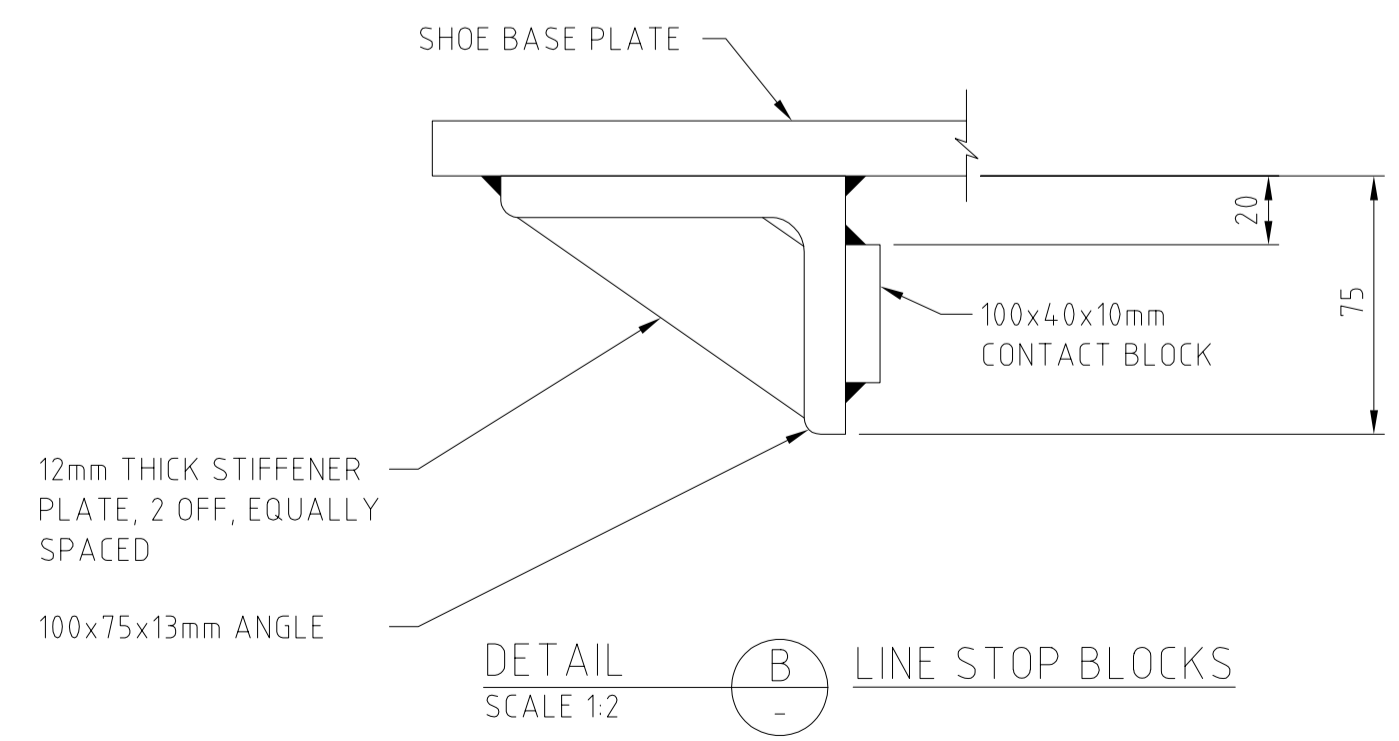


NOTES:

1. ALL DIMENSIONS ARE IN MILLIMETERS UNLESS NOTED OTHERWISE.
2. ALL JOINTS TO BE WELDED 6mm FILLET WELD ALL AROUND UNLESS NOTED OTHERWISE.
3. STEEL PLATE AND STEEL SECTION MATERIAL TO BE TO ASTM A36 OR APPROVED EQUIVALENT WITH YIELD STRENGTH OF 36 ksi (250 MPa) MINIMUM.
4. DOUBLER PLATES TO BE SAME MATERIAL AND THICKNESS AS PIPE.
5. VENT HOLES REQUIRED ON DOUBLER PLATE ONLY.
6. DIMENSION 'H' VARIES DEPENDING ON THE THICKNESS OF THE REINFORCING PAD. PLATES MUST BE TRIMMED TO SUIT.
7. PROFILE STIFFENER PLATES TO MATCH DOUBLER PLATE. STIFFENER PLATES ARE TO BE EQUALLY SPACED ALONG THE LENGTH OF THE SHOE.
8. OUTSIDE STIFFENER PLATES ARE TO BE WELDED ON ALL FOUR SIDES. INSIDE STIFFENER PLATES DO NOT REQUIRE WELDS TO THE DOUBLER PLATE.
9. THIS DETAIL IS ONLY SUITABLE FOR LIGHT LOAD APPLICATIONS AND IS ONLY TO BE USED WHERE EXPLICITLY STATED ON THE PIPING DRAWINGS OR AS DIRECTED BY THE ENGINEER.
10. INSTALL CLIP WITH 10mm TOP GAP UNLESS SPECIFIED OTHERWISE ON PIPING DRAWINGS.
11. LV05 MAXIMUM LINESSTOP GUIDE GAP = 10mm FORWARD AND 10mm BACKWARD i.e 20mm IN TOTAL.



PIPE SHOE DIMENSIONS (NOTE 11)						
NOMINAL PIPE SIZE	TYPE	SHOE LGTH 'A'	DOUBLER PLATE 'B'	WIDTH 'W'	PLATE LGTH 'E'	PLATE LGTH 'F'
8 (DN200)	LV05	550	650	80	230	125
10 (DN250)	LV05	550	650	100	250	145
12 (DN300)	LV05	550	650	120	270	165
14 (DN350)	LV05	550	650	160	310	205
16 (DN400)	LV05	550	650	200	350	245
18 (DN450)	LV05	550	650	220	370	265



CORROSION PROTECTION:

THE PIPE SHOE (INCLUDING GUIDE CLIPS, LINESSTOP BLOCKS, AND GUSSET/STIFFENING PLATES) SHALL BE PAINTED (INCLUDING SURFACE PREPARATION, PRIMING OR FIRST COATING AND FINISH COATING) PRIOR TO INSTALLATION ON THE PIPELINE.

THE DOUBLER PLATE SHALL HAVE SURFACE PREPARATION PLUS PRIMING OR FIRST COATING CARRIED OUT, EXCEPT THAT 20mm WIDE STRIP AROUND EDGE OF DOUBLER PLATE SHALL BE LEFT UN-PAINTED FOR WELDING TO PIPE.

Firm Name and Address

Project Name
CONNECTION OF MAKE UP WELLS
OW-53B, OW-53C AND OW-53D
AT OLKARIA GEOTHERMAL PROJECT

Drawing Title
STANDARD DETAILS
PIPE SHOE - TYPE LV05
DN200 TO DN450 PIPELINES

Drawing No.
OW-53-SFD-EB-DRG-018

Date
24/03/2019

Scale
As noted