

**NOTES:**

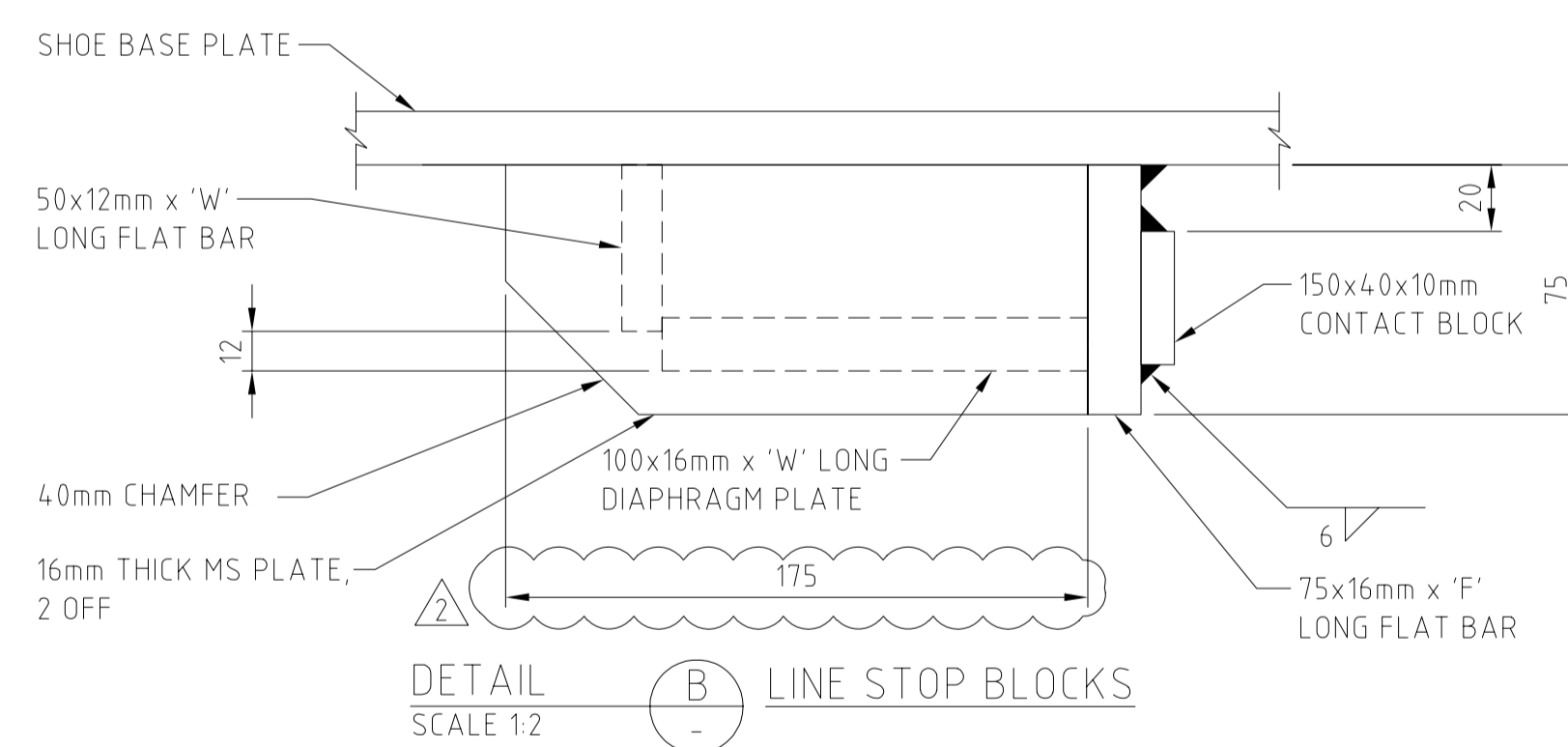
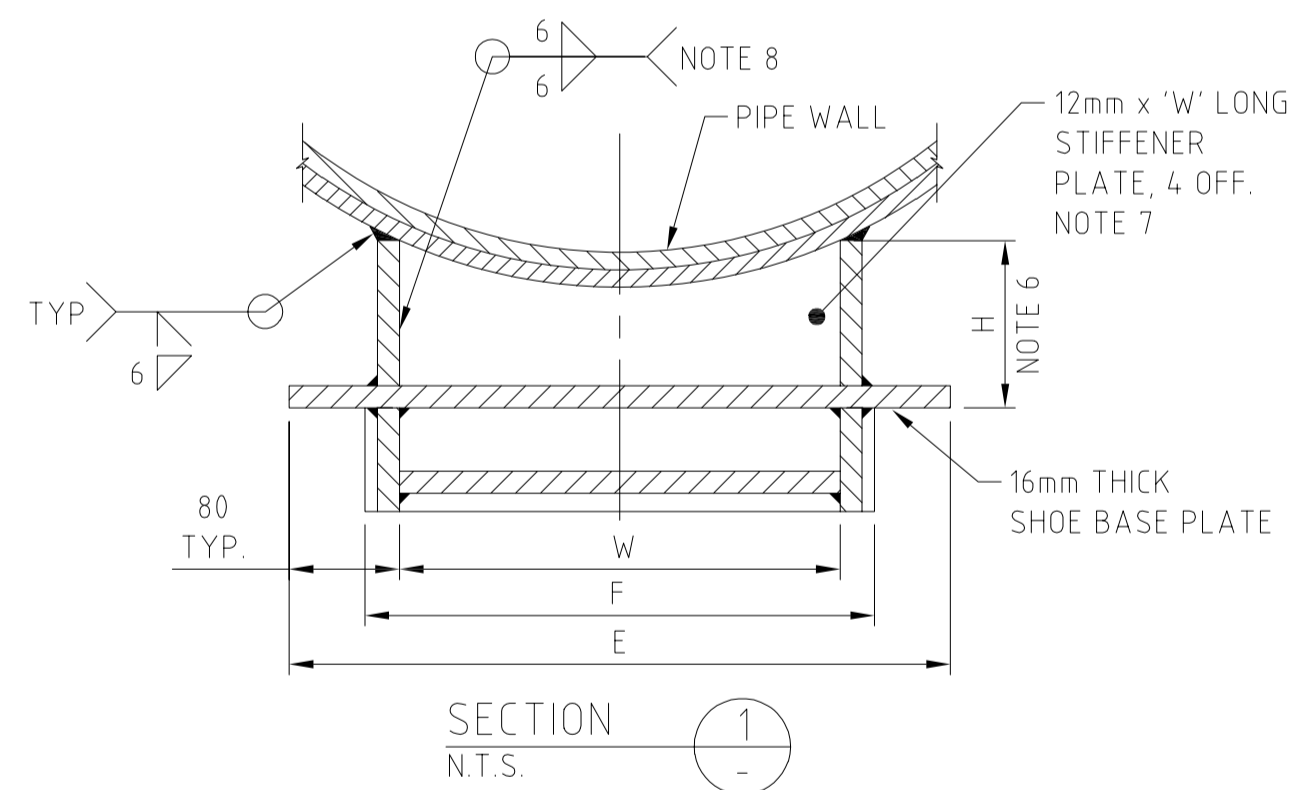
- ALL DIMENSIONS ARE IN MILLIMETERS UNLESS NOTED OTHERWISE.
- ALL JOINTS TO BE WELDED 8mm FILLET WELD ALL AROUND UNLESS NOTED OTHERWISE.
- STEEL PLATE AND STEEL SECTION MATERIAL TO BE TO ASTM A36 OR APPROVED EQUIVALENT WITH YIELD STRENGTH OF 36 ksi (250 MPa) MINIMUM.
- DOUBLER PLATES TO BE SAME MATERIAL AND THICKNESS AS PIPE.
- VENT HOLES REQUIRED ON DOUBLER PLATE ONLY.
- DIMENSION 'H' VARIES DEPENDING ON THE THICKNESS OF THE REINFORCING PAD. PLATES MUST BE TRIMMED TO SUIT.
- PROFILE STIFFENER PLATES TO MATCH DOUBLER PLATE. STIFFENER PLATES ARE TO BE EQUALLY SPACED ALONG THE LENGTH OF THE SHOE.
- OUTSIDE STIFFENER PLATES ARE TO BE WELDED ON ALL 4 SIDES. INSIDE STIFFENER PLATES DO NOT REQUIRE WELDS TO THE DOUBLER PLATE.
- INSTALL CLIP WITH 10mm TOP GAP UNLESS SPECIFIED OTHERWISE ON PIPING DRAWINGS.
- LV07 MAXIMUM LINES TOP GUIDE GAP = 10mm FORWARD AND 10mm BACKWARD i.e. 20mm IN TOTAL

**CORROSION PROTECTION:**

THE PIPE SHOE (INCLUDING GUIDE CLIPS, LINES TOP BLOCKS, AND GUSSET/STIFFENING PLATES) SHALL BE PAINTED (INCLUDING SURFACE PREPARATION, PRIMING OR FIRST COATING AND FINISH COATING) PRIOR TO INSTALLATION ON THE PIPELINE.

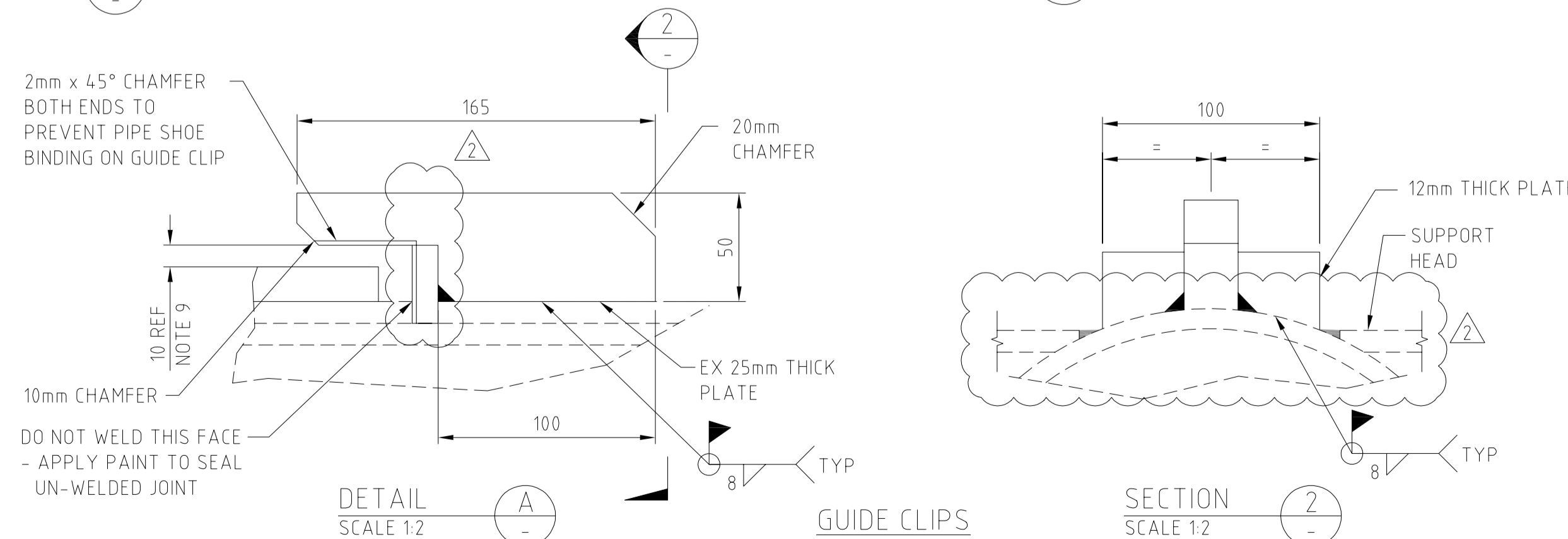
THE DOUBLER PLATE SHALL HAVE SURFACE PREPARATION PLUS PRIMING OR FIRST COATING CARRIED OUT, EXCEPT THAT 20mm WIDE STRIP AROUND EDGE OF DOUBLER PLATE SHALL BE LEFT UN-PAINTED FOR WELDING TO PIPE.

**PIPE SHOE TYPE LV**



PIPE SHOE DIMENSIONS (NOTE 10)

NOMINAL PIPE SIZE	TYPE	SHOE LGTH 'A'	DOUBLER PLATE LGTH 'B'	WIDTH 'W'	SHOE WIDTH 'E'	PLATE LGTH 'F'
8 (DN200)	LV07	700	900	80	230	125
10 (DN250)	LV07	700	900	100	250	145
12 (DN300)	LV07	700	900	120	270	165
14 (DN350)	LV07	700	900	160	310	205
16 (DN400)	LV07	700	900	200	350	245
18 (DN450)	LV07	700	900	220	370	265
20 (DN500)	LV07	700	900	260	410	310
24 (DN600)	LV07	700	900	285	435	335
30 (DN750)	LV07	700	900	320	470	370



Firm Name and Address

Project Name  
CONNECTION OF MAKE UP WELLS  
OW-53B, OW-53C AND OW-53D  
AT OLKARIA GEOTHERMAL PROJECT

Drawing Title  
STANDARD DETAILS  
PIPE SHOE - TYPE LV07  
DN200 TO DN750 PIPELINES

Drawing No.  
OW-53-SFD-EB-DRG-020

Date  
24/03/2019

Scale  
As noted