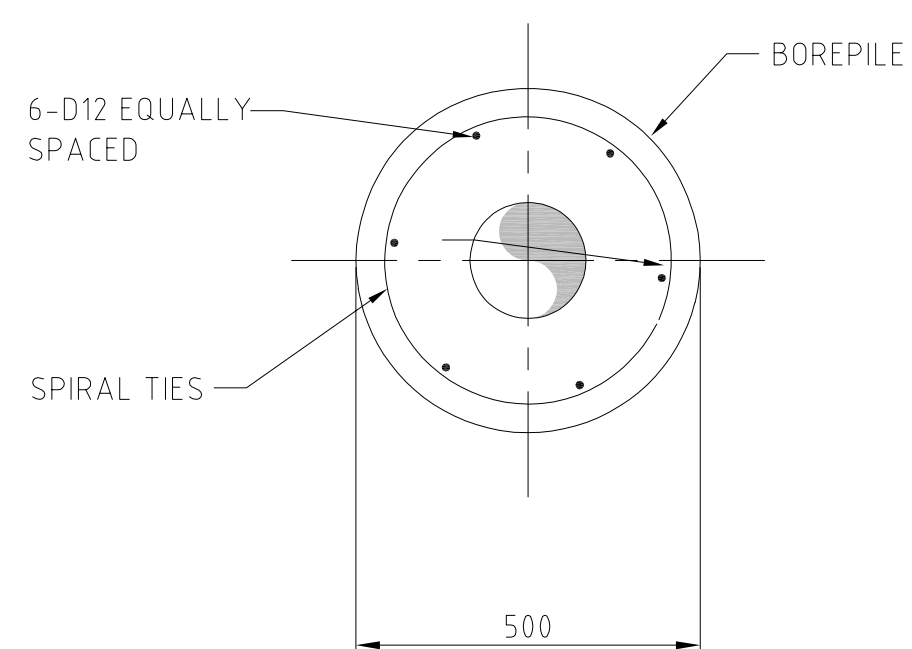
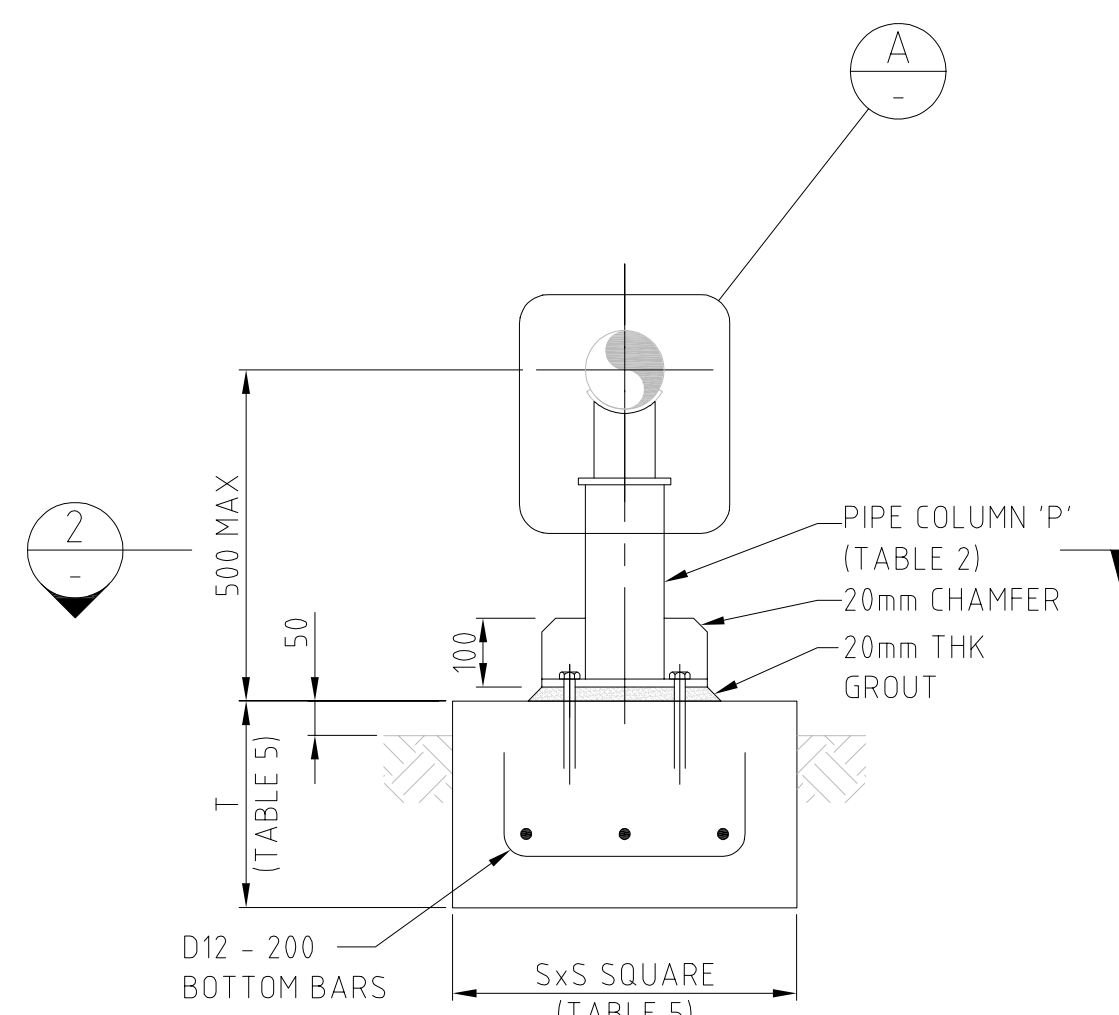


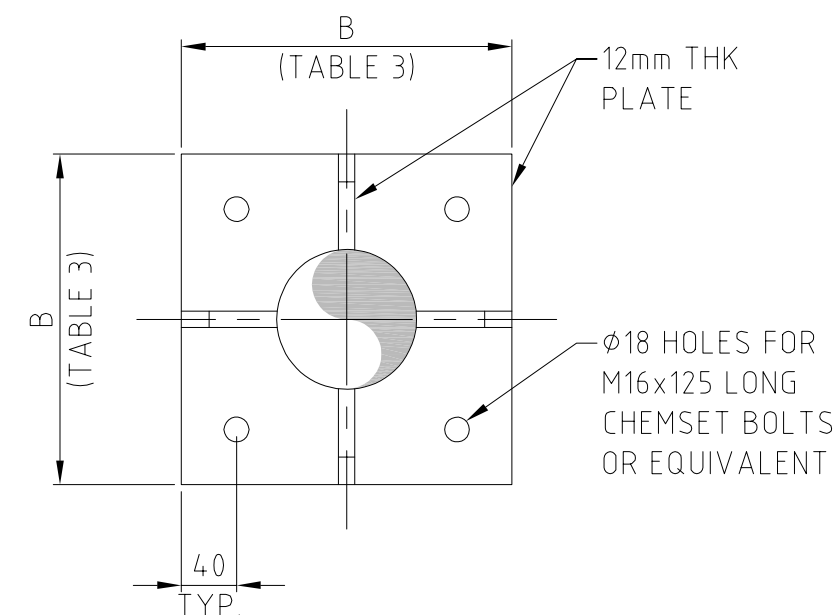
ELEVATION - TYPE 1A
SCALE 1:20



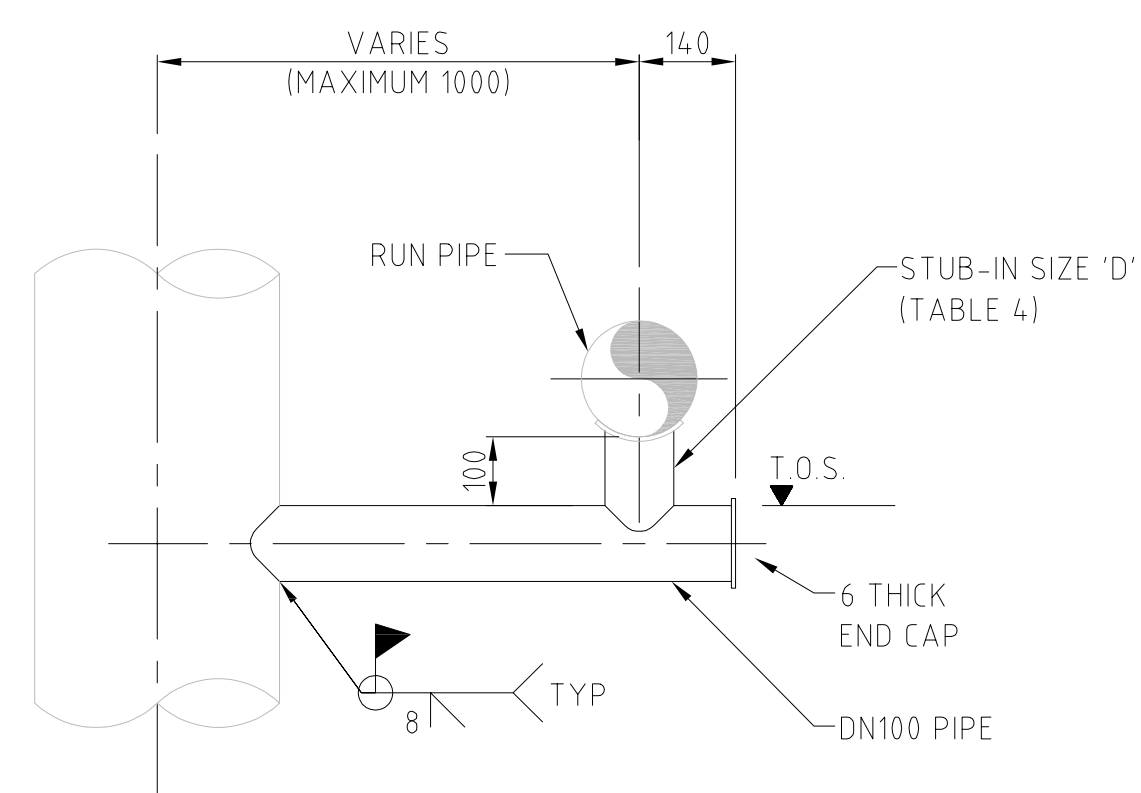
SECTION 1
SCALE 1:10



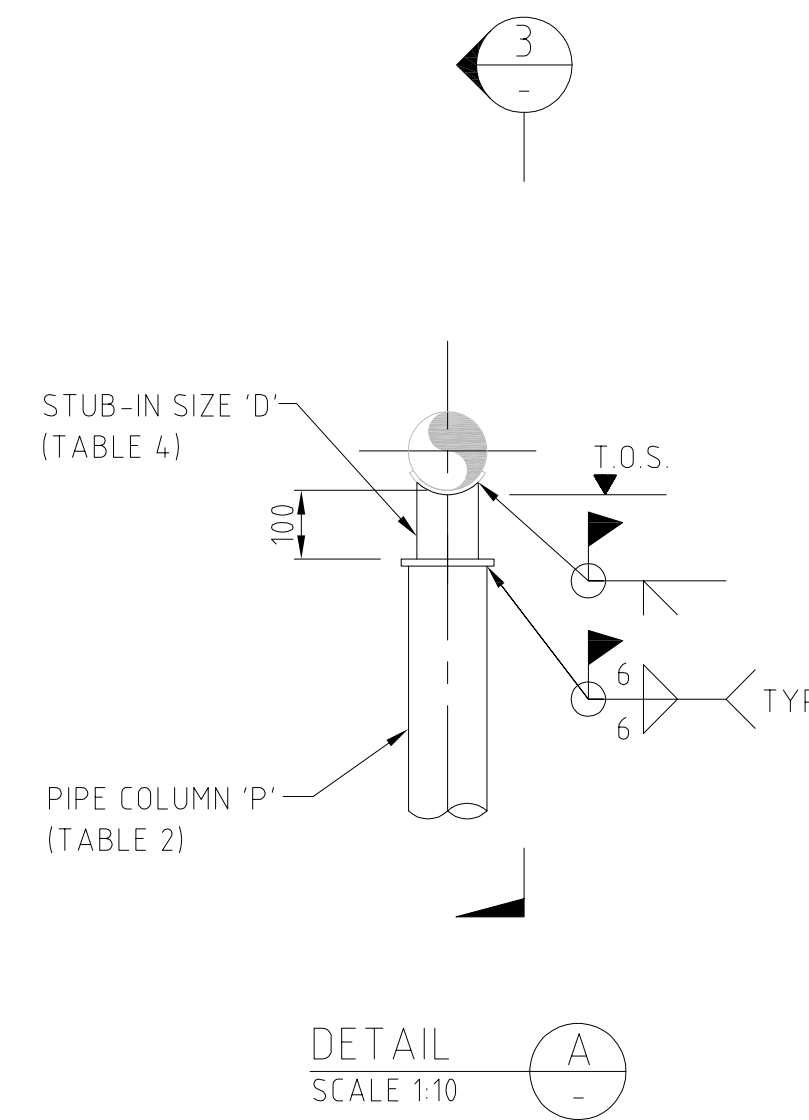
ELEVATION - TYPE 1B
SCALE 1:10



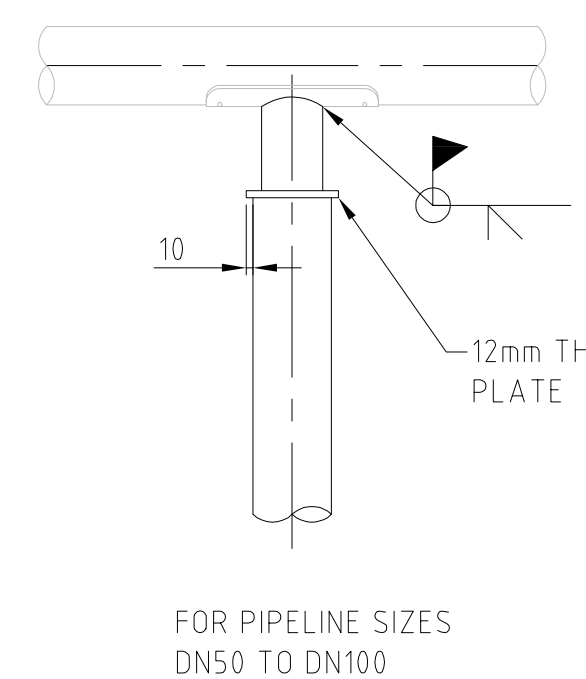
SECTION 2
SCALE 1:5



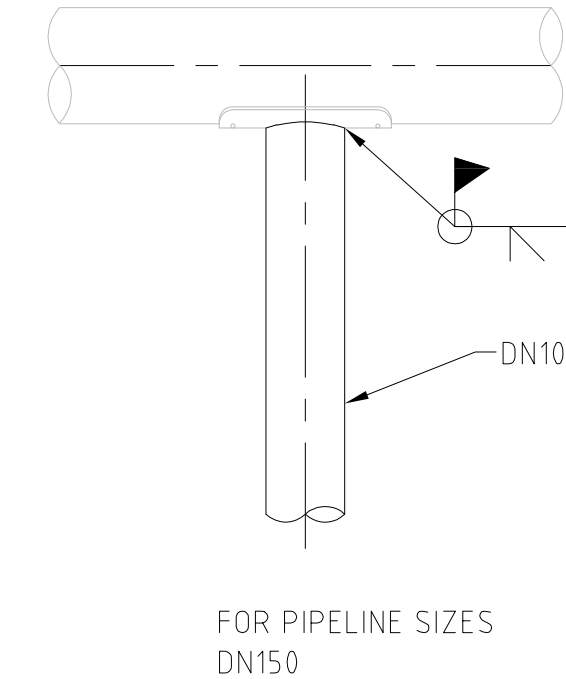
ELEVATION - TYPE 2
SCALE 1:10



DETAIL A
SCALE 1:10



SECTION 3
SCALE 1:10



SHOE TYPE

TABLE 1	
SUPPORT	SHOE TYPE
PA-30	AN02

BASE PLATE SIZES

TABLE 3	
STANCHION SIZE	B
DN80	220
DN100	240

TYPE 1B PAD

TABLE 5		
STANCHION SIZE	S	T
DN80	500	300
DN100	700	400

PIPE COLUMN SIZES AND PILE LENGTHS

TABLE 2		
PIPE LINE SIZE (DN)	PIPE COLUMN 'P' (DN)	PILE DEPTH 'E' (mm)
50	80	1000
80	80	1000
100	100	1500
150	100	1500

STUB-IN SIZES (FOR TYPE 2)

TABLE 4	
PIPE LINE SIZE (DN)	D
50	25
80	50
100	80
150	100

NOTES:

- FOR GENERAL NOTES AND LEGEND REFER TO DRAWING
- CONCRETE:
 - MINIMUM 28 DAY COMPRESSIVE STRENGTH OF CONCRETE SHALL BE 20 MPa (K-225)
 - MINIMUM COVER TO REINFORCING SHALL BE 75mm.
- TYPE 1A SUPPORTS SHALL BE USED FOR HIGH SUPPORT SMALL BORE PIPES DIRECTLY FROM THE GROUND. TYPE 1B SUPPORTS SHALL BE USED FOR LOW LEVEL SMALL BORE PIPES AND WHEN MOUNTING FROM AN EXISTING CONCRETE STRUCTURE. TYPE 2 SUPPORTS SHALL BE USED WHEN ATTACHED TO OTHER STEEL SUPPORTS OR FRAMES.
- STEEL PIPE COLUMNS TO BE CAST DIRECTLY INTO CONCRETE PILE FOUNDATIONS. CLEAN PIPE COLUMN OF ANY DIRT, OIL AND GREASE PRIOR TO PLACING. ALLOW PIPE TO BE FILLED WITH CONCRETE TO PILE LEVEL DURING CONCRETE POURING.
- PAINTING AND CORROSION PROTECTION REQUIREMENTS SHALL BE AS PER APPROVED SPECIFICATION. PIPE COLUMNS FOR PILE SUPPORTS SHALL BE SHOP-PRIMED DOWN TO A DEPTH OF 200 mm BELOW THE TOP OF CONCRETE PRIOR TO CASTING.
- SOIL STRENGTH IN PILE BOREHOLE TO HAVE UNDRAINED SHEAR STRENGTH 'Cu' GREATER THAN 40 KPa.
- PIPE THICKNESS TO BE STD WEIGHT UNLESS STATED ON DRAWING.

Firm Name and Address

Project Name
CONNECTION OF MAKE UP WELLS
OW-53B, OW-53C AND OW-53D
AT OLKARIA GEOTHERMAL PROJECT

Drawing Title
STANDARD DETAILS
SMALL BORE PIPE SUPPORTS
PA-30

Drawing No.
OW-53-SFD-EB-DRG-021

Date
24/03/2019

Scale
As noted