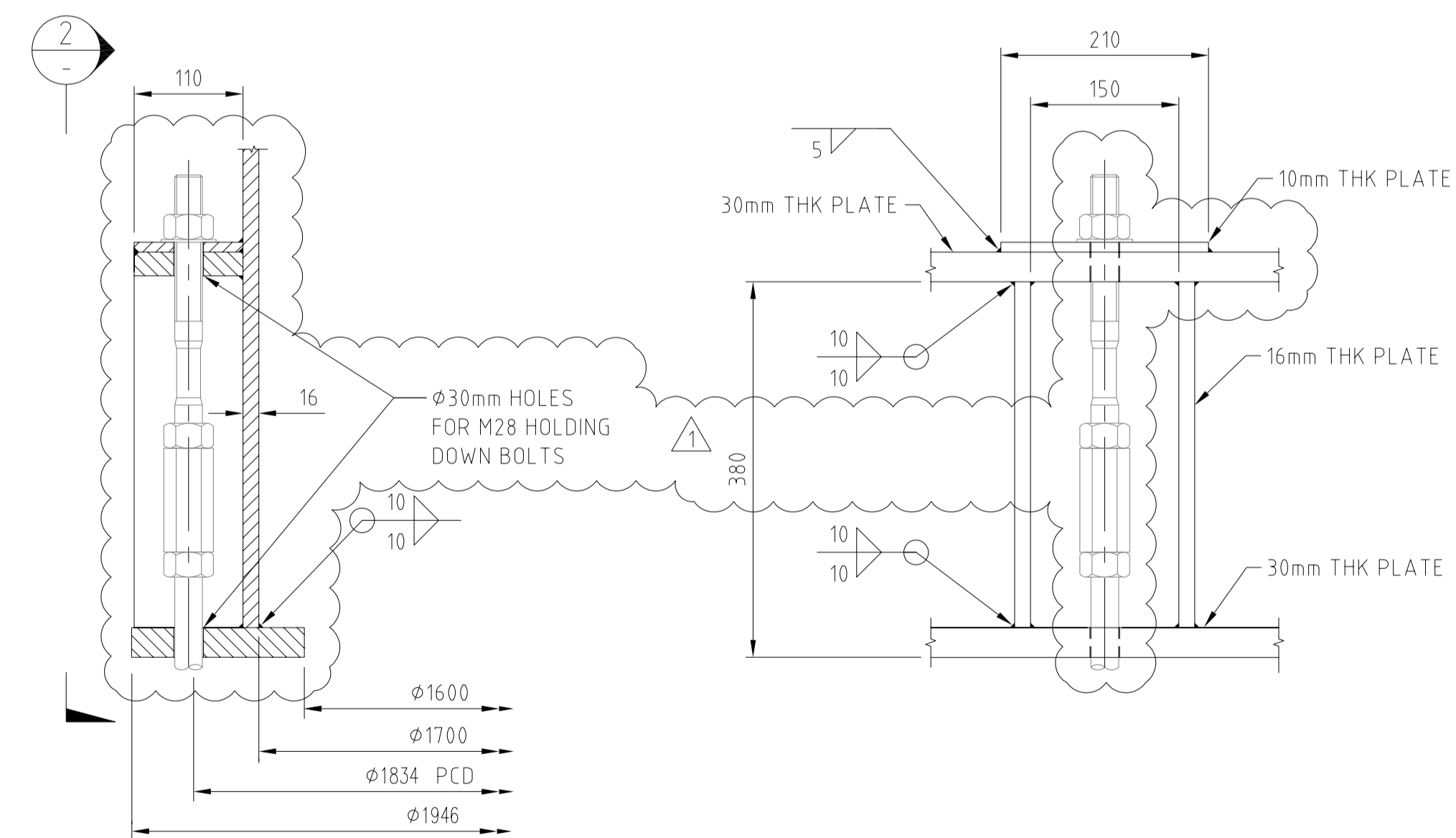
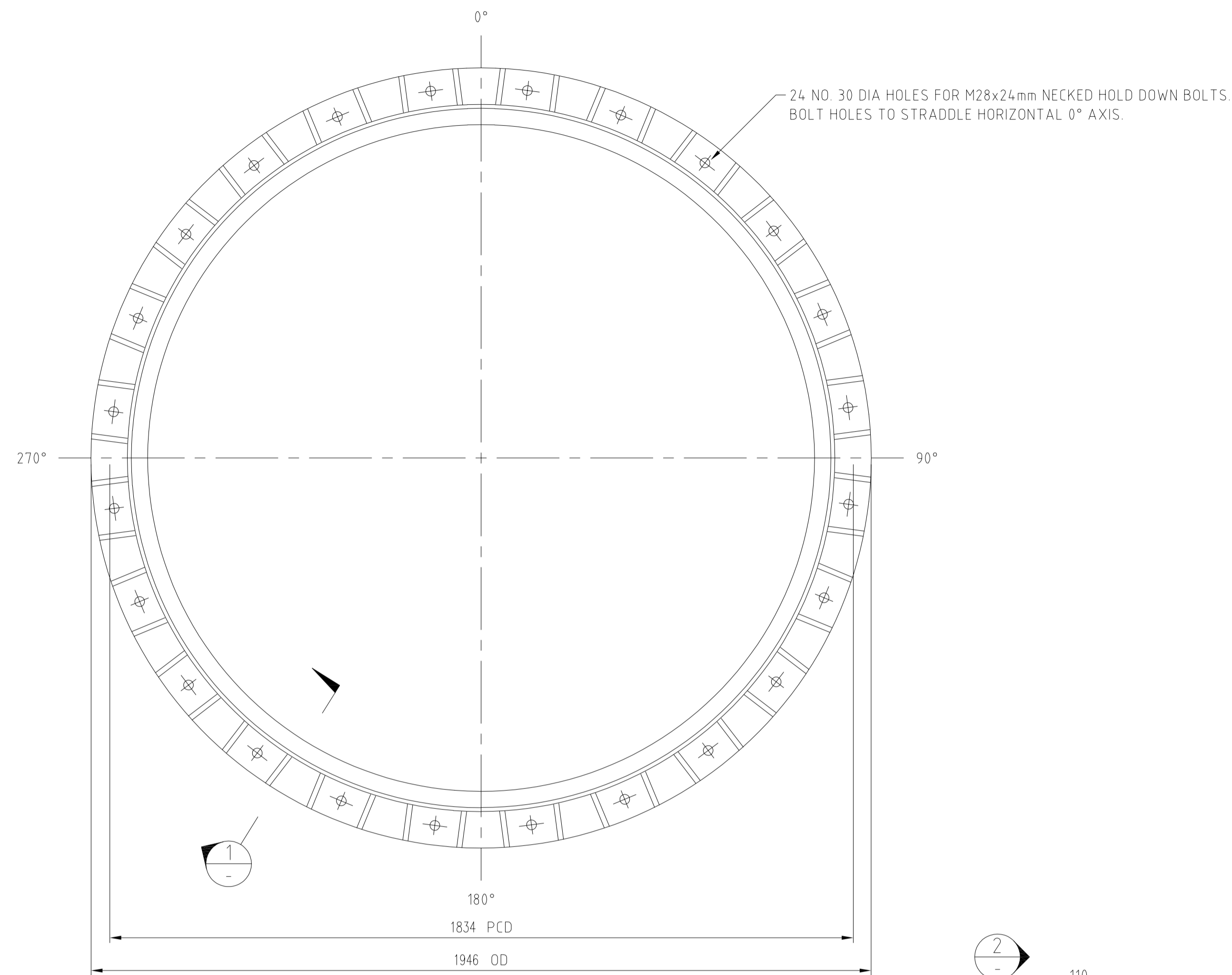



NOTES:

1. REFER TO GENERAL NOTES
2. FOR POSITION OF THE SKIRT REFER TO SEPARATOR DRAWING



Firm Name and Address
 KenGen Energy for the nation
Project Name
CONNECTION OF MAKE UP WELLS OW-53B, OW-53C AND OW-53D AT OLKARIA GEOTHERMAL PROJECT
Drawing Title
SEPARATOR - TYPE 1.7 SKIRT AND HOLD DOWN BOLT DETAILS
Drawing No.
OW-53-SFD-EB-DRG-023
Date
24/03/2019
Scale
As noted