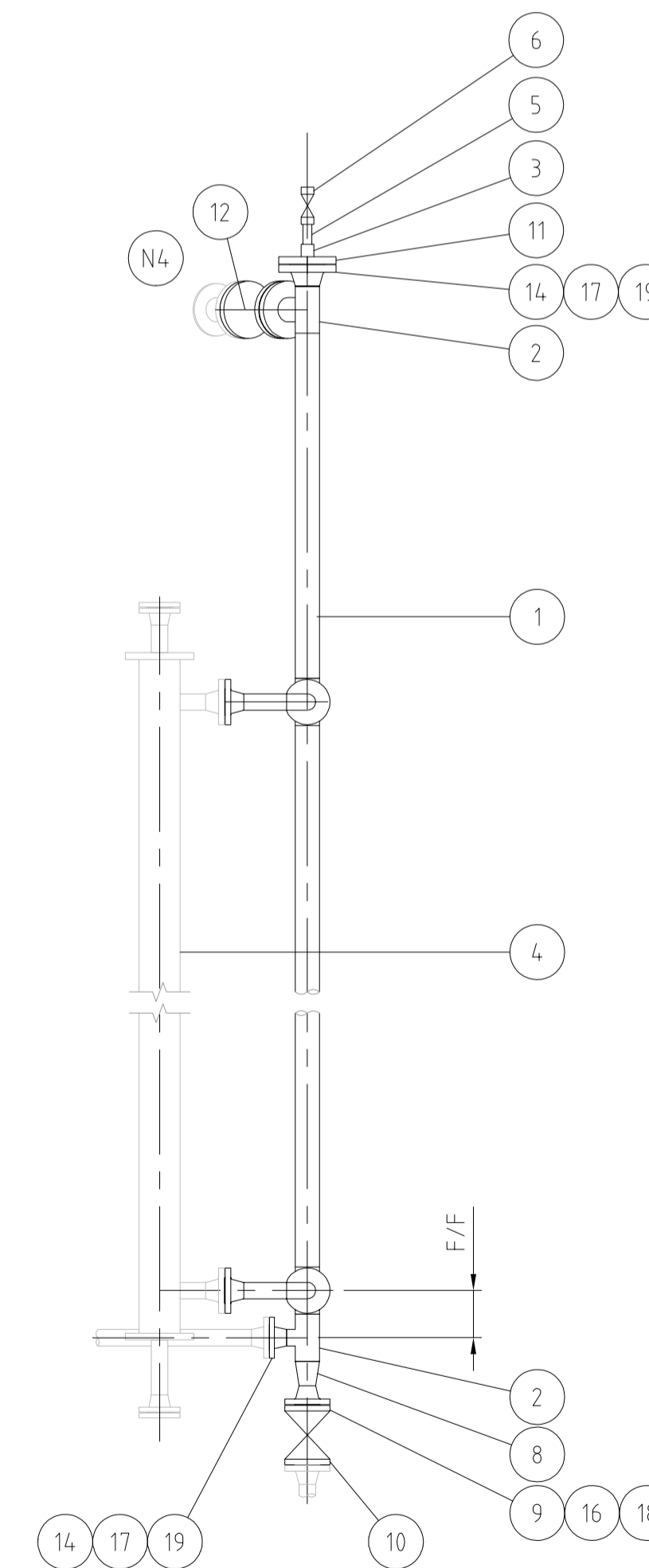
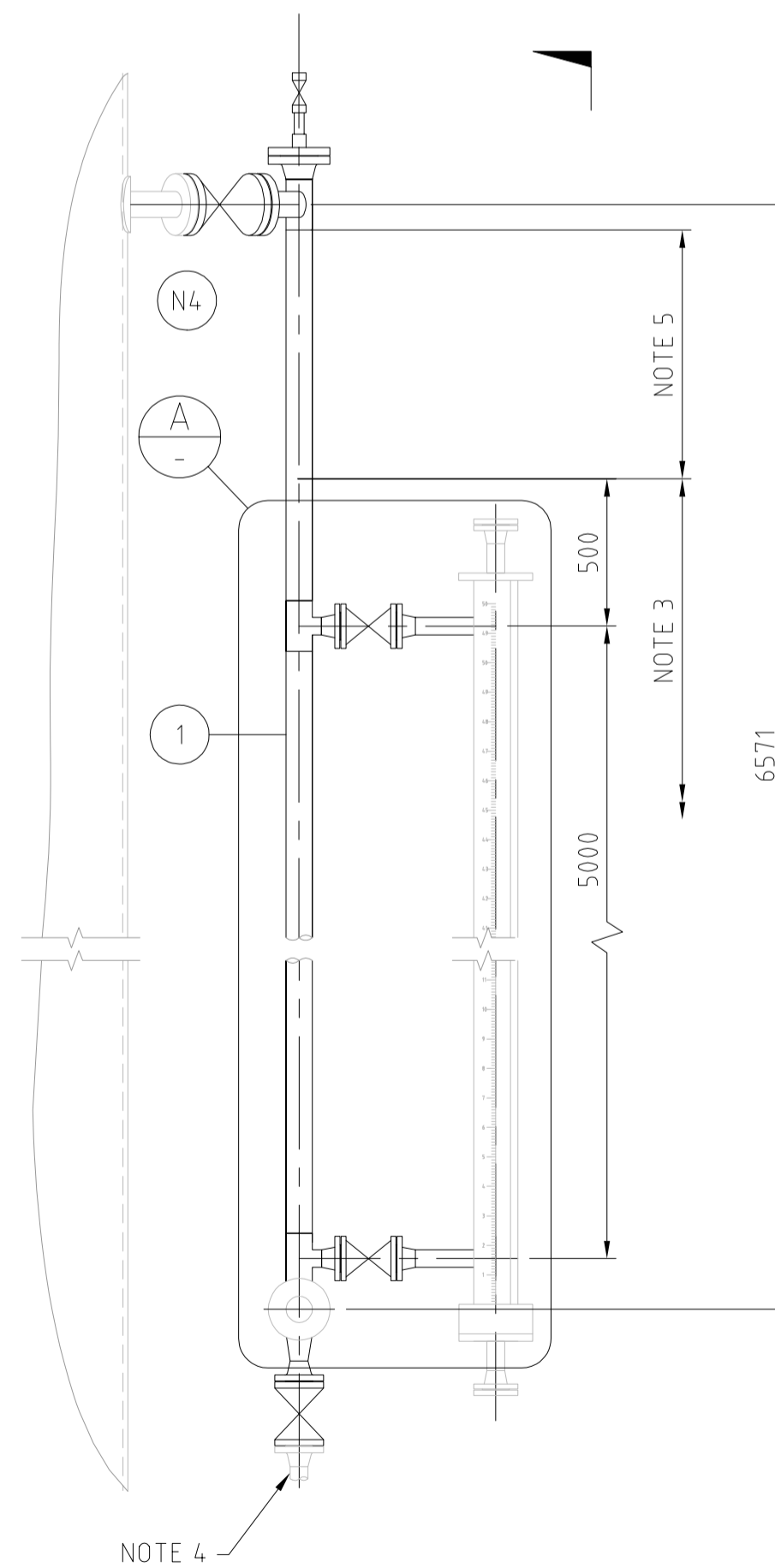
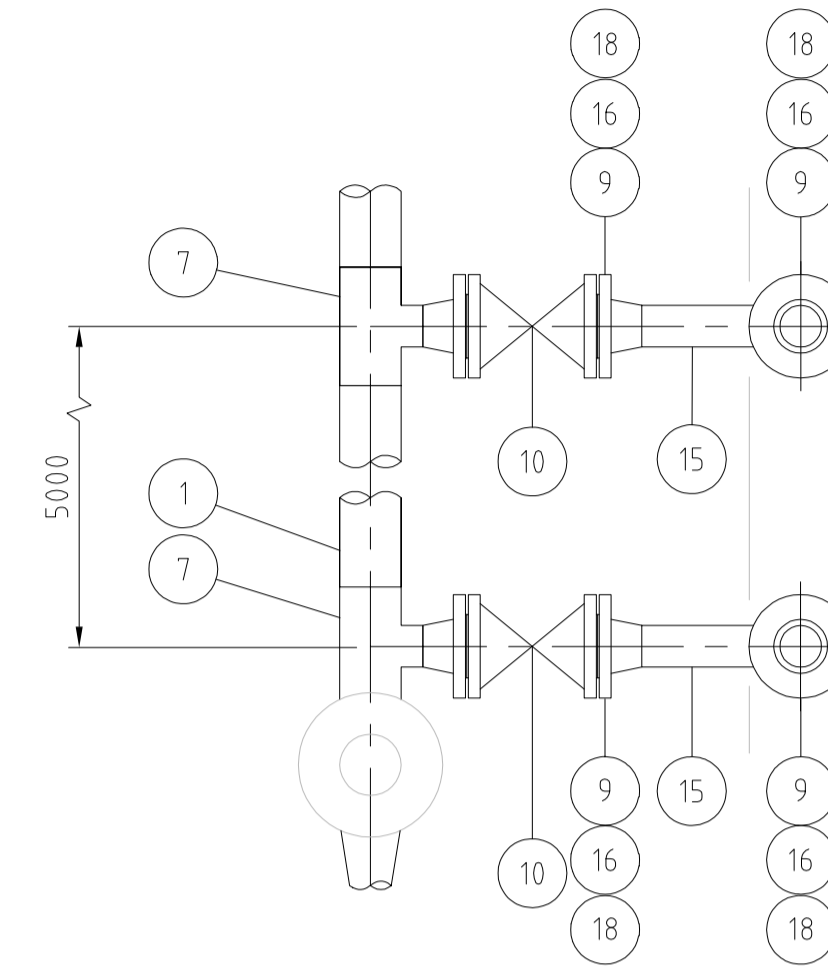
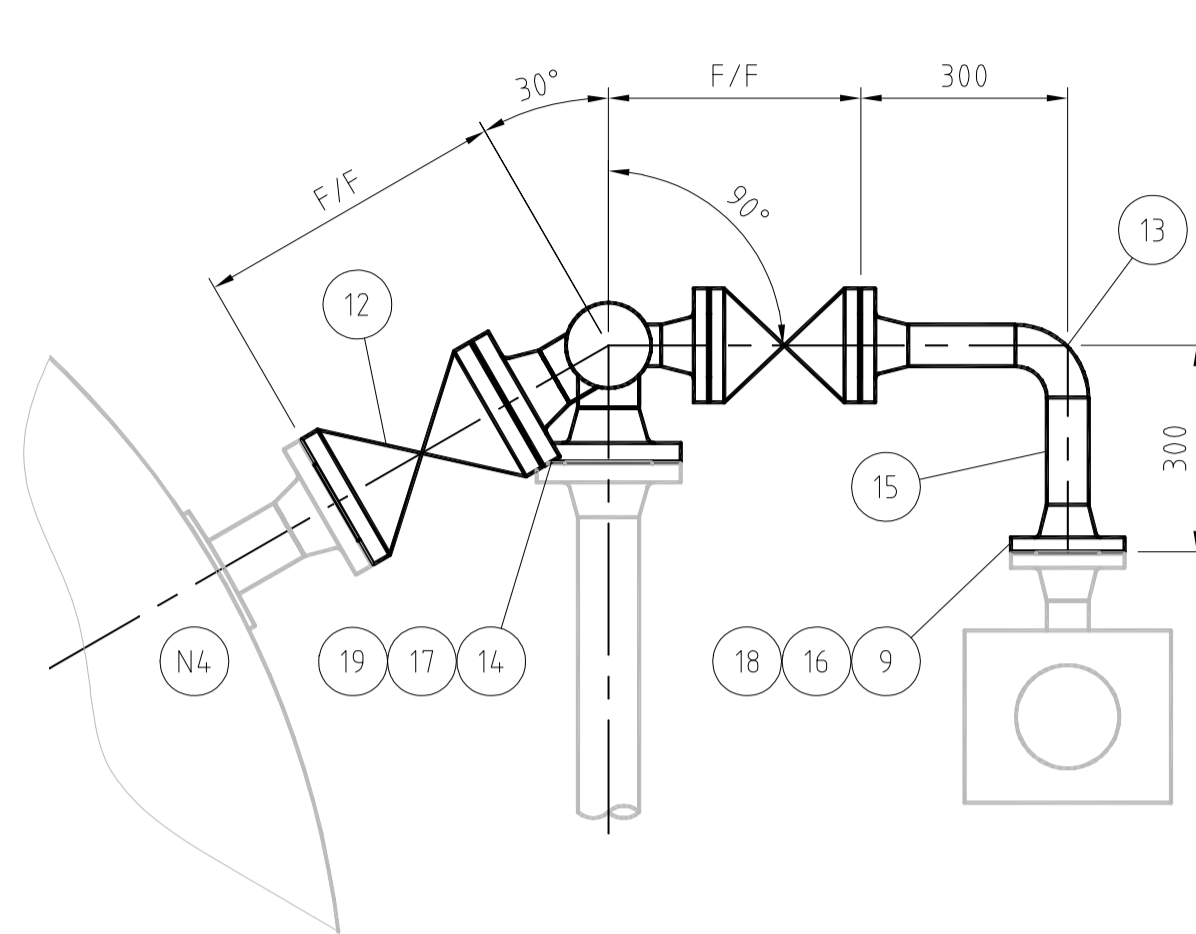



BILL OF MATERIALS				
ITEM	QUANTITY	SIZE (DN)	MATERIAL	DESCRIPTION
1	-	80	API-5L Gr B OR APPROVED EQUIVALENT	RUN PIPE, SMLS, STD, LENGTH AS SHOWN
2	2	80	ASTM A234 Gr WPB	EQUAL TEE
3	1	25	ASTM A105	HALF COUPLING, CL3000
4	1	50	316L SS	MAGNETIC LEVEL GAUGE
5	1	25	API-5L Gr B OR APPROVED EQUIVALENT	PIPE NIPPLE, SMLS SCH160 PBE, 100mm LONG
6	1	25	-	GATE VALVE, 800# SW
7	2	80x80x50	ASTM A234 Gr WPB	REDUCING TEE
8	1	80x50	ASTM A234 Gr WPB	CONCENTRIC REDUCER
9	7	50	ASTM A105	FLANGE, WN RF, CL300
10	3	50	-	GATE VALVE, CL300
11	1	80	ASTM A105	FLANGE, BLIND RF, CL300
12	1	80	-	GATE VALVE, CL300
13	2	50	ASTM A234 Gr WPB	90° ELBOW LR
14	3	80	ASTM A105	FLANGE, WN RF, CL300
15	-	50	API-5L Gr B OR APPROVED EQUIVALENT	RUN PIPE, SMLS, SCH160, LENGTH AS SHOWN.
16	7	50	316SS	GASKET, CL300 SPIRAL WOUND W/INNER RING, W/GRAPHITE FILLING
17	3	80	316SS	GASKET, CL300 SPIRAL WOUND W/INNER RING, W/GRAPHITE FILLING
18	7	-	A193-B7/A194-2H	BOLT SET, STUD BOLT W/2 HEAVY HEX NUTS, UNC, 5/8"x95mm, 8/SET
19	3	-	A193-B7/A194-2H	BOLT SET, STUD BOLT W/2 HEAVY HEX NUTS, UNC, 3/4"x115mm, 8/SET



NOTES:

1. FOR GENERAL NOTES AND NOZZLE LIST REFER TO THE DRAWING
2. FOR FULL DETAILS REFER TO PIPE SPECIFICATION.
3. LOWER SECTION OF BRIDLE TO BE FULLY INSULATED, INSULATION TYPE 'I'.
4. SITE RUN BRIDLE DRAIN TO DRAINAGE PIT AT GRADE.
5. FIT ALUMINIUM HEAT SHIELD TO TOP SECTION OF BRIDLE FOR PERSONNEL PROTECTION.

Firm Name and Address	
 KenGen Energy for the nation	
Project Name	
CONNECTION OF MAKE UP WELLS OW-53B, OW-53C AND OW-53D AT OLKARIA GEOTHERMAL PROJECT	
Drawing Title	
SEPARATOR - TYPE 1.7 LOWER INSTRUMENTATION BRIDLE	
Drawing No.	
OW-53-SFD-EB-DRG-025	
Date	
24/03/2019	
Scale	
As noted	