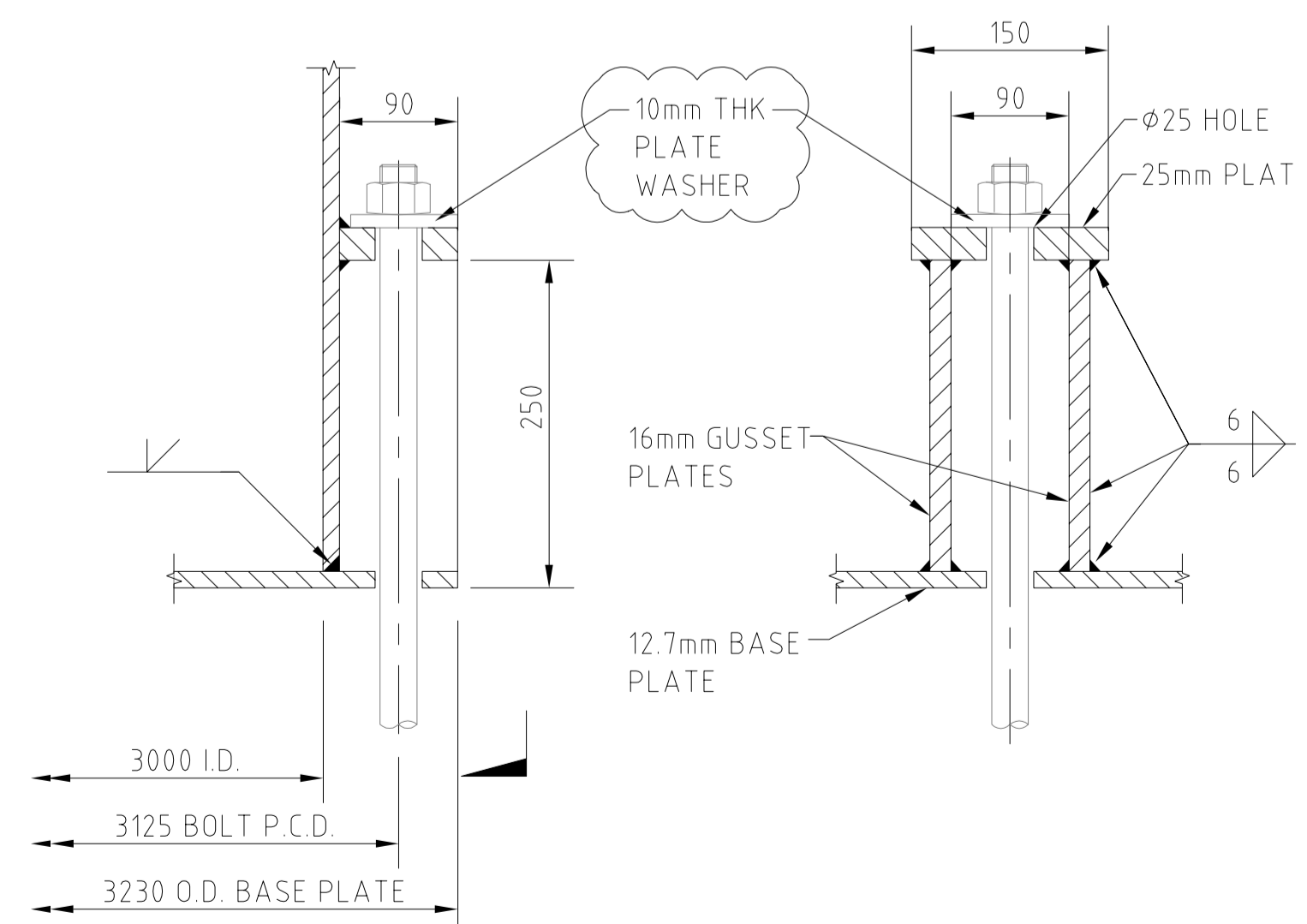
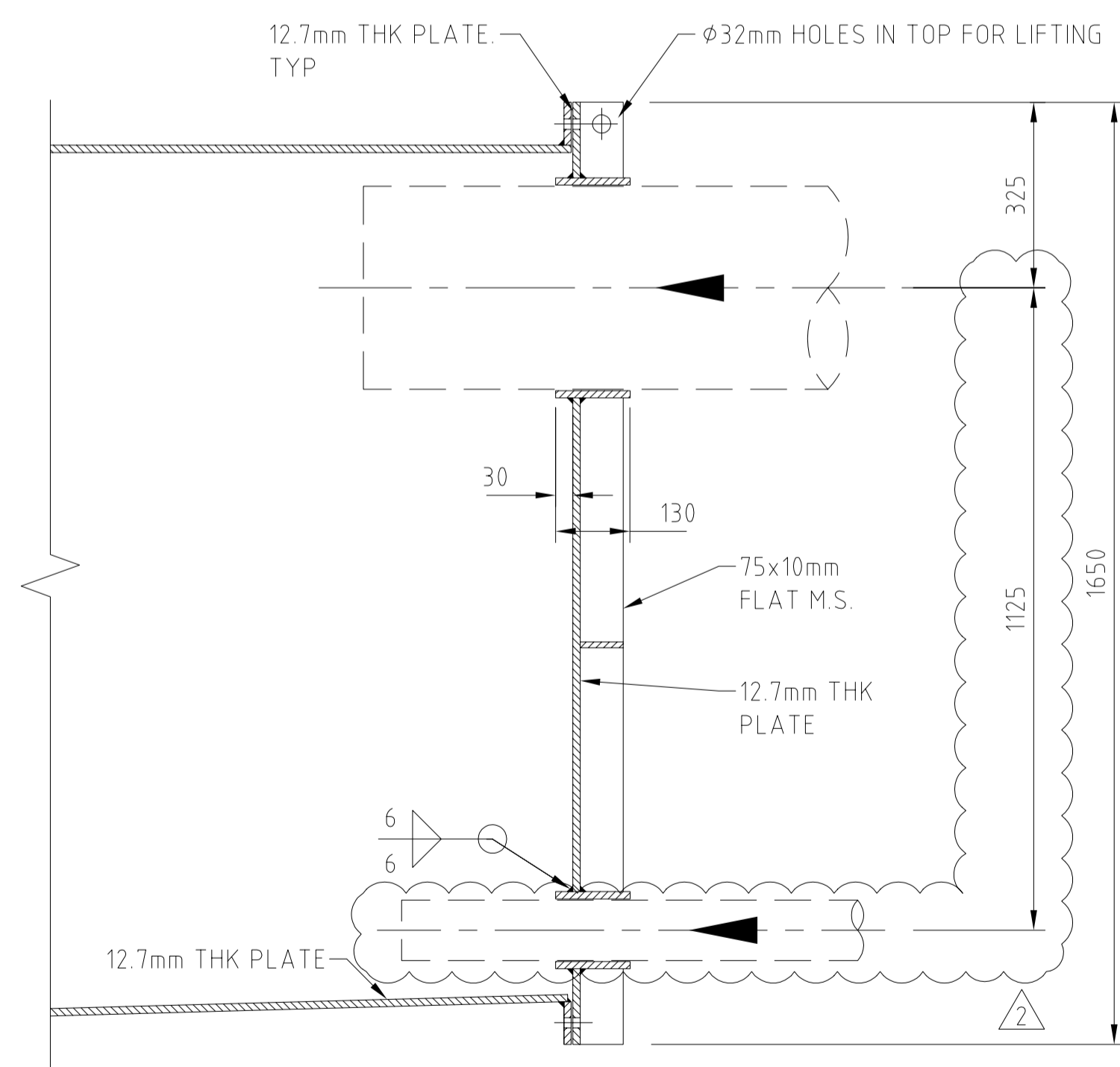



WEIRBOX ANCHOR CHAIR DETAILS



VESSEL ANCHOR CHAIR DETAILS

Firm Name and Address	
 <b>KenGen</b> Energy for the nation	
Project Name	
CONNECTION OF MAKE UP WELLS OW-53B, OW-53C AND OW-53D AT OLKARIA GEOTHERMAL PROJECT	
Drawing Title	
FLASH TANK DIAMETER 3000 SECTIONS AND DETAILS SHEET 1	
Drawing No.	
OW-53-SFD-EB-DRG-029	
Date	
24/03/2019	
Scale	
As noted	