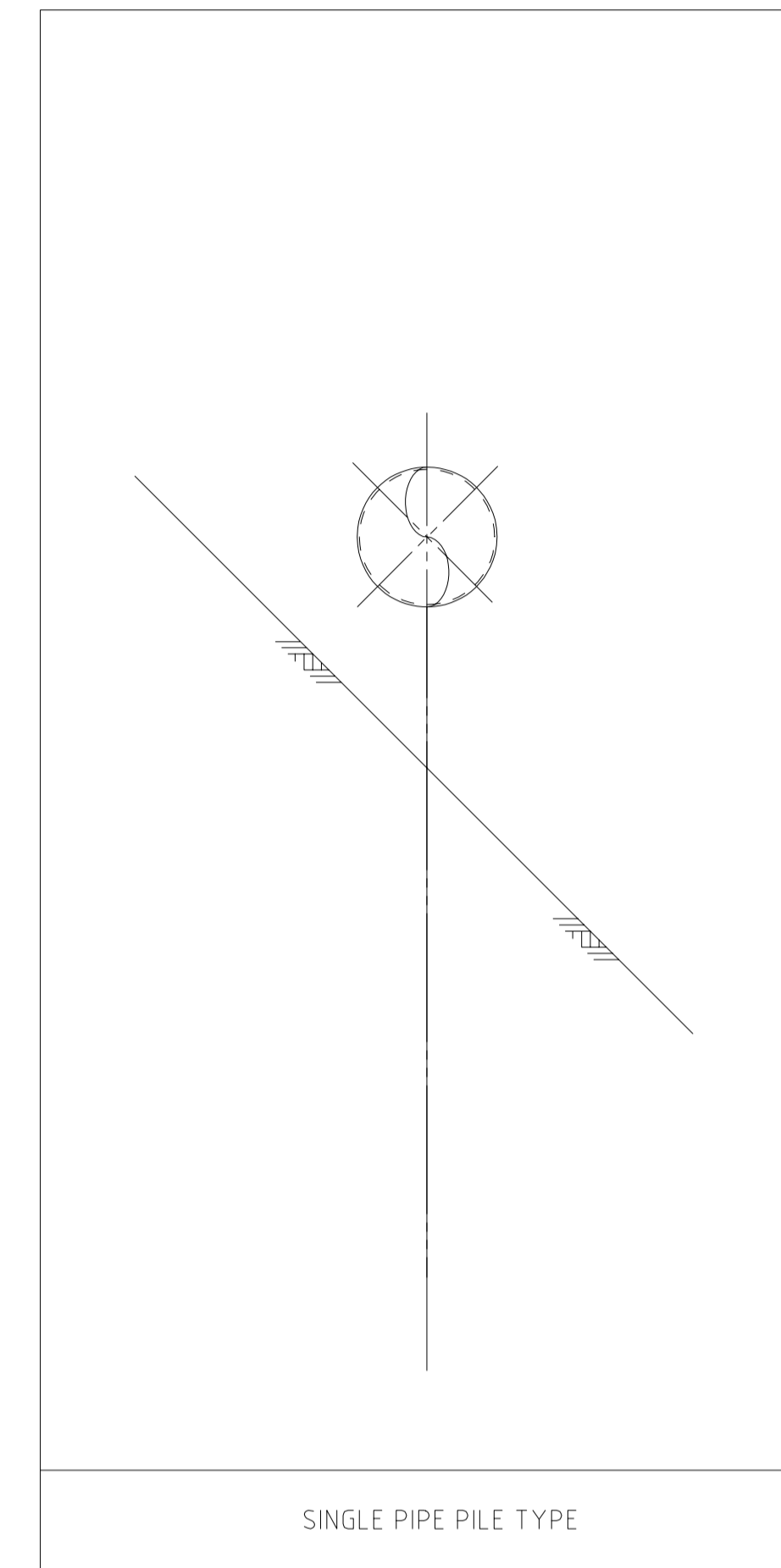
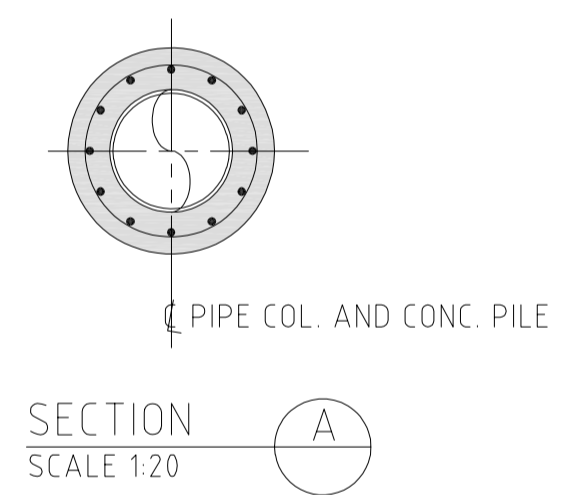
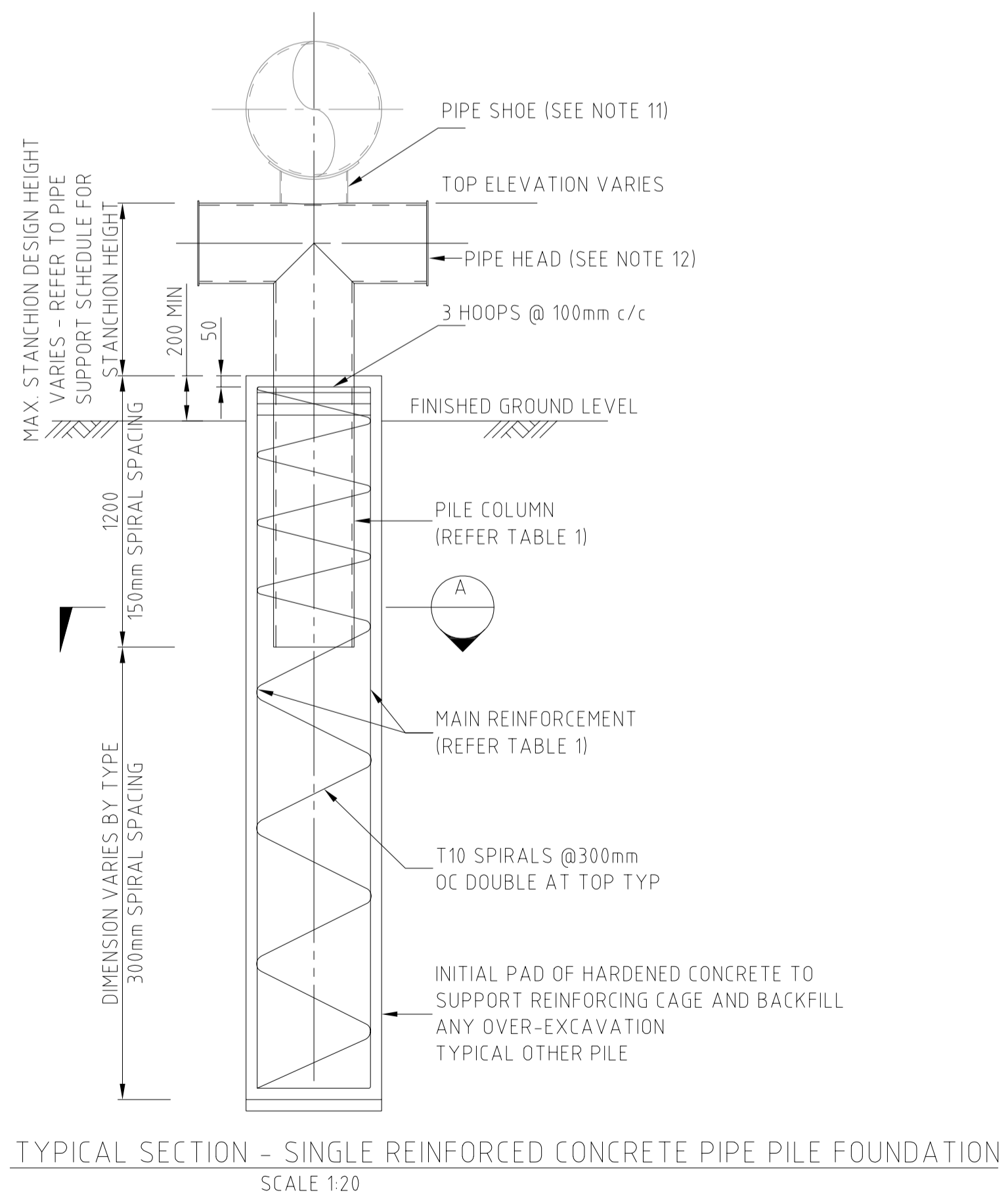


TABLE 1

SINGLE PIPE SUPPORTS ON PILE FOUNDATION	PIPE SUPPORT TYPE	PIPE COLUMN 'P' NOM SIZE x WALL THICKNESS	PILE DIAM 'D' (mm)	PILE REINFORCEMENT (MAIN REBAR)	LINKS
PIPE SUPPORTS	A	10" NPS STD (273.00D x 10mm)	600	6 T25	T10 spirals @ 150/300mm spacing
	B	12" NPS STD (323.90D x 10mm)	800	9 T25	T10 spirals @150/300 mm spacing
	C	14" NPS STD (355.60D x 10mm)	900	11 T25	T10 spirals @150/300 mm spacing
	D	18" NPS STD (457.00D x 10mm)	1000	14 T25	T10 spirals @150/300 mm spacing
	E	18" NPS STD (457.00D x 10mm)	1200	12 T32	T10 spirals @150/300 mm spacing
	F	20" NPS STD (508.00D x 10mm)	1400	17 T32	T10 spirals @150/300 mm spacing
SINGLE PIPE SUPPORTS ON PAD FOUNDATION	A-P	10" NPS STD (273.00D x 10mm)			
	B-P	12" NPS STD (323.90D x 10mm)			
	C-P	14" NPS STD (355.60D x 10mm)			
	D-P	18" NPS STD (457.00D x 10mm)			
	E-P	18" NPS STD (457.00D x 10mm)			
	F-P	20" NPS STD (508.00D x 10mm)			



GENERAL PIPE PILE ARRANGEMENT CODE

NTS

NOTES

- MINIMUM CONCRETE COVER TO REINFORCEMENT SHALL BE 75mm
- ALL STRUCTURAL CONCRETE SHALL HAVE A MINIMUM COMPRESSIVE CUBIC STRENGTH OF 30MPa AT 28 DAYS
- REINFORCEMENT SHALL BE DEFORMED BARS GRADE 460A TYPE 2 OR GRADE 460B TYPE 2 CONFORMING TO BS 4449 - 1997
- PIPE COLUMNS SHALL BE GRADE 275MPa STEEL, SEAMLESS, TO ASTM A53, ASTM A106 & API 5L
- TOLERANCES FOR INSTALLATION OF PIPE SUPPORT FOUNDATIONS
  - MAXIMUM TOLERANCE ON PLAN LOCATION OF STEEL COLUMN SHALL BE 25mm IN ANY DIRECTION
  - MAXIMUM TOLERANCE ON TOP ELEVATION OF STEEL COLUMN SHALL BE 25mm
- STEEL PIPE COLUMNS TO BE CAST DIRECTLY INTO CONCRETE FOUNDATIONS. CLEAN PIPE COLUMN OF ANY DIRT OIL AND GREASE PRIOR TO PLACING. PIPE COLUMNS SHALL BE SHOP PRIMED DOWN TO A DEPTH OF 200mm BELOW THE TOP OF CONCRETE PRIOR TO CASTING
- CONTRACTOR TO PAINT WELDS AND INTERFACE BETWEEN STEEL PIPE COLUMN AND CONCRETE AFTER INSTALLATION OF PIPE SUPPORT HEADS WHERE PAINT WILL NOT SEAL SHRINKAGE CRACKS BETWEEN PIPE COLUMN AND CONCRETE, FILL CRACKS WITH NON SHRINK CEMENT BASED GROUT BEFORE PAINTING
- THE MINIMUM PILE EMBEDMENT DEPTHS ARE BASED ON VOLCANIC ASH. IF DURING SOIL EXCAVATION IT IS FOUND THAT THE SOIL IS DIFFERENT, CONTACT THE ENGINEER FOR REVISED EMBEDMENT REQUIREMENTS
- CONTRACTOR MAY CHOOSE TO FULLY EMBED THE PIPE COLUMN IN THE PILE
- FOR PIPE SHOE DETAILS REFER TO RELEVANT MECHANICAL DRAWINGS

Firm Name and Address	
Project Name	
CONNECTION OF MAKE UP WELLS OW-53B, OW-53C AND OW-53D AT OLKARIA GEOTHERMAL PROJECT	
Drawing Title	
STANDARD SUPPORTS SINGLE PILE TYPE	
Drawing No.	
OW-53-SFD-EB-DRG-030	
Date	
24/03/2019	
Scale	
As noted	