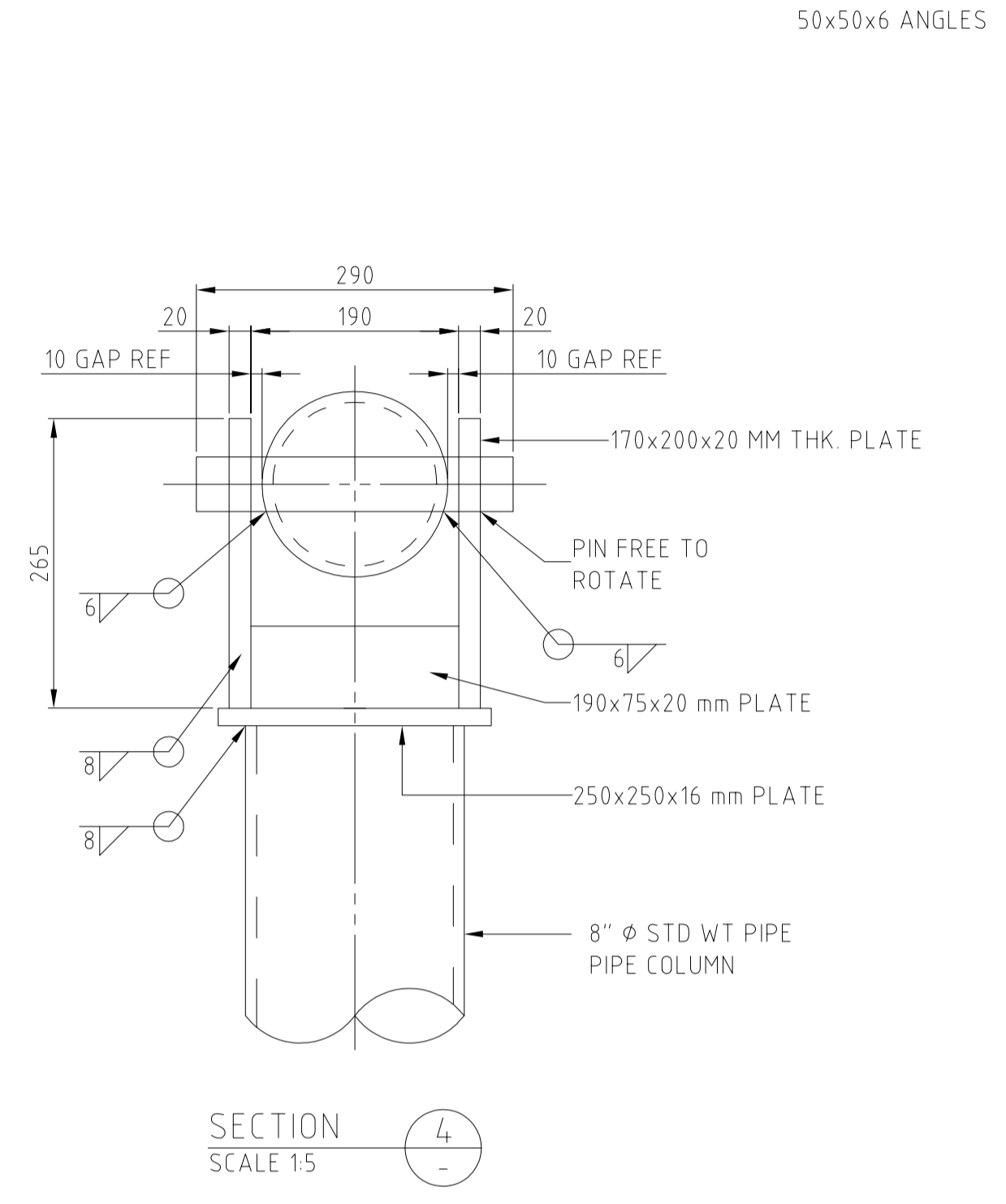


PLAN  
SCALE 1:10

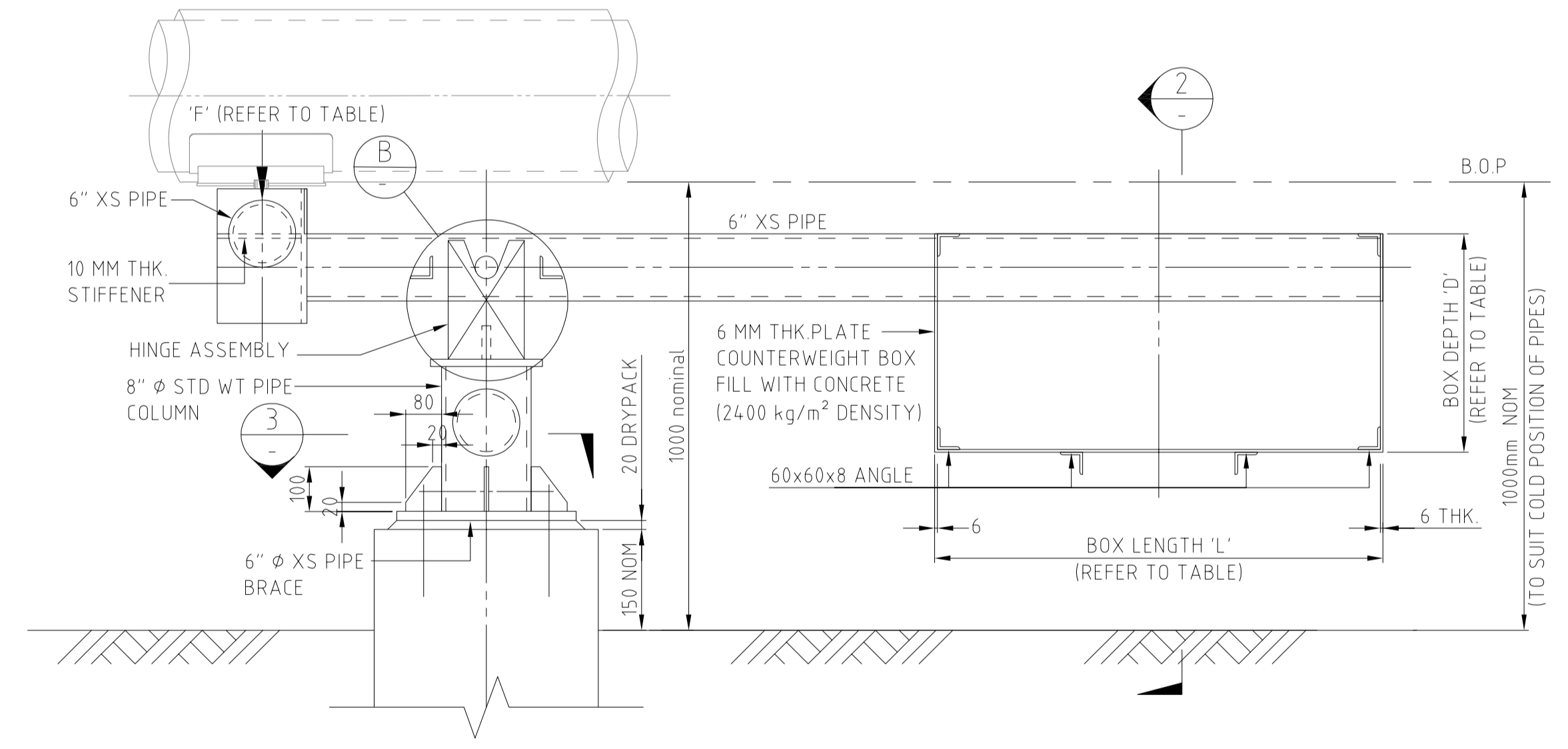


SECTION 4  
SCALE 1:5

50x50x6 ANGLES

NOTES:-

1. ALL WELDS TO BE 5mm CONTINUOUS FILLET ALL ROUND UNLESS NOTED OTHERWISE.
2. ALL DIMENSIONS ARE IN MILLIMETRES UNLESS NOTED OTHERWISE.
3. ALL GAPS AND DIMENSIONS ARE SHOWN WITH THE WELL AND PIPING IN THE COLD POSITION.
4. HOT DIP GALVANIZE STEELWORK IN ACCORDANCE WITH SPECIFICATION.
5. CHAMFER PLATE CONTACT EDGES.
6. SUPPORT DESIGNED FOR WELL HEAD GROWTH OF 250mm MAXIMUM VERTICALLY. ADVISE DESIGNER IF THIS CHANGES.
7. REFER TO MECHANICAL SUPPORT SCHEDULE DRAWINGS FOR INDIVIDUAL CW SUPPORT LOADS




SECTION 1  
SCALE 1:10

COUNTERWEIGHT LOAD TABLE

PIPE SUPPORT REF	C.W.S Load 'F' (N)	Box Length 'L' (m)	Box Depth 'D' (m)
CWS1	7500	0.500	0.135
CWS2	8000	0.500	0.150
CWS3	8500	0.500	0.160
CWS4	9000	0.500	0.175
CWS5	9500	0.500	0.190
CWS6	10000	0.500	0.205
CWS7	10500	0.500	0.215
CWS8	11000	0.500	0.230
CWS9	11500	0.500	0.245
CWS10	12500	0.500	0.270
CWS11	15000	0.500	0.340
CWS12	17500	1.000	0.200
CWS13	20000	1.000	0.235
CWS14	22500	1.000	0.270
CWS15	25000	1.000	0.305
CWS16	27500	1.000	0.340
CWS17	30000	1.000	0.375
CWS18	32500	1.500	0.270
CWS19	40000	1.500	0.340
CWS20	42500	1.500	0.365
CWS21	45000	1.500	0.390
CWS22	47500	1.500	0.415
CWS23	50000	2.000	0.325
CWS24	52500	2.000	0.340
CWS25	55000	2.000	0.360
CWS26	57500	2.000	0.375
CWS27	60000	2.000	0.395

Firm Name and Address



Project Name  
CONNECTION OF MAKE UP WELLS  
OW-53B, OW-53C AND OW-53D  
AT OLKARIA GEOTHERMAL PROJECT

Drawing Title  
STANDARD SUPPORTS  
CONSTANT WEIGHT SUPPORT

Drawing No.  
OW-53-SFD-EB-DRG-031

Date  
24/03/2019

Scale  
As noted