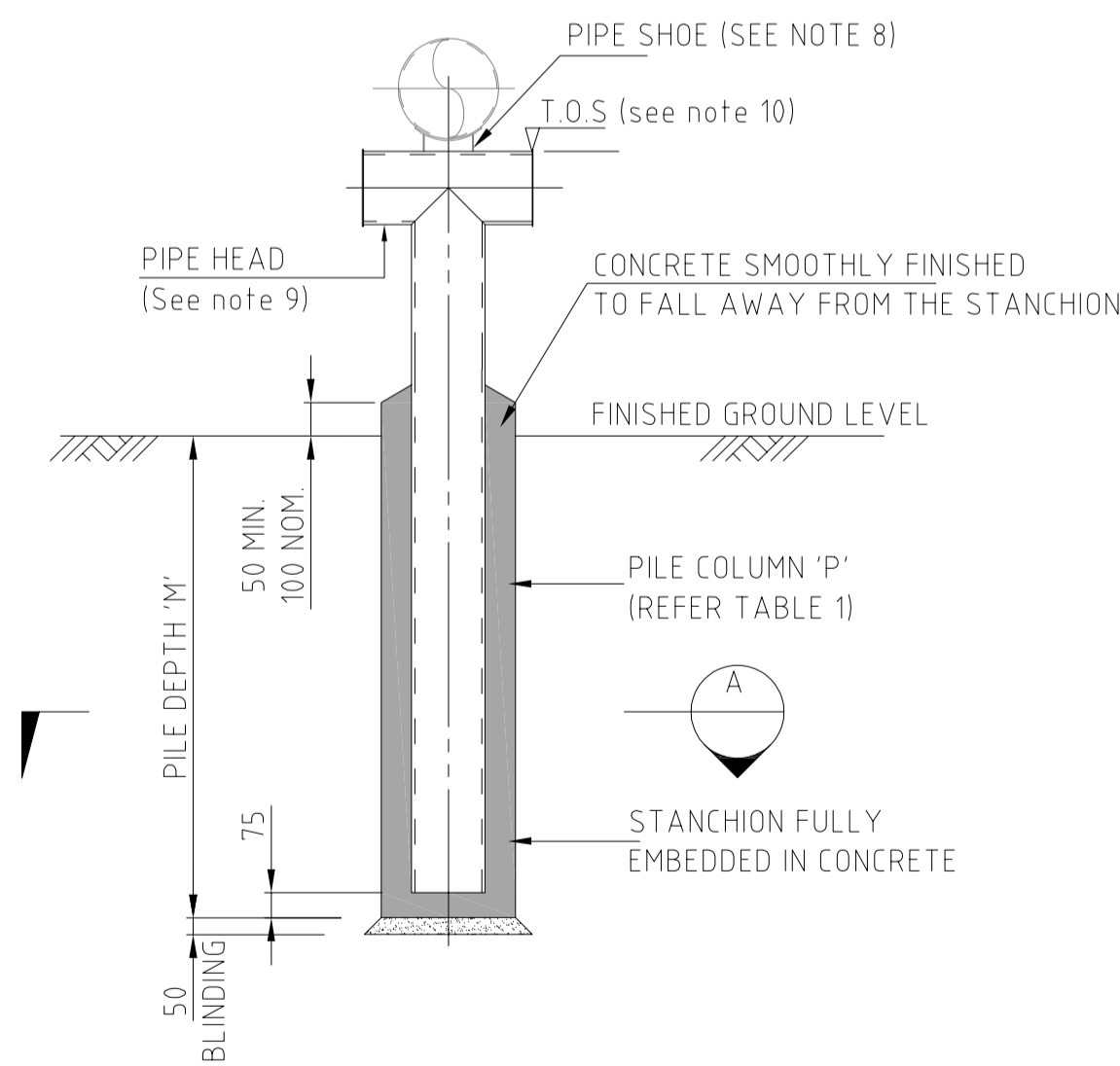
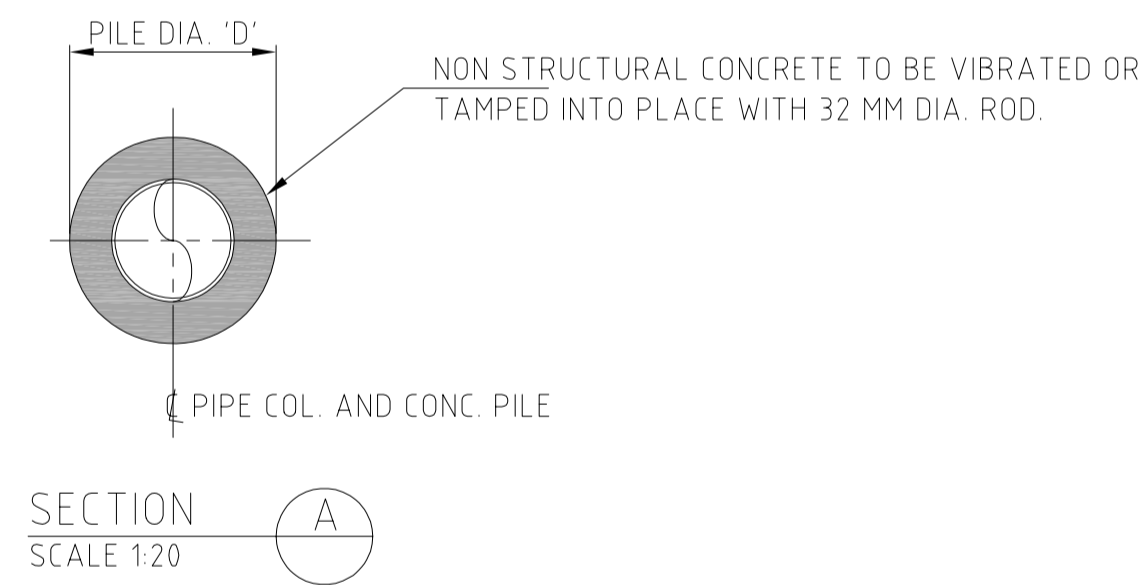
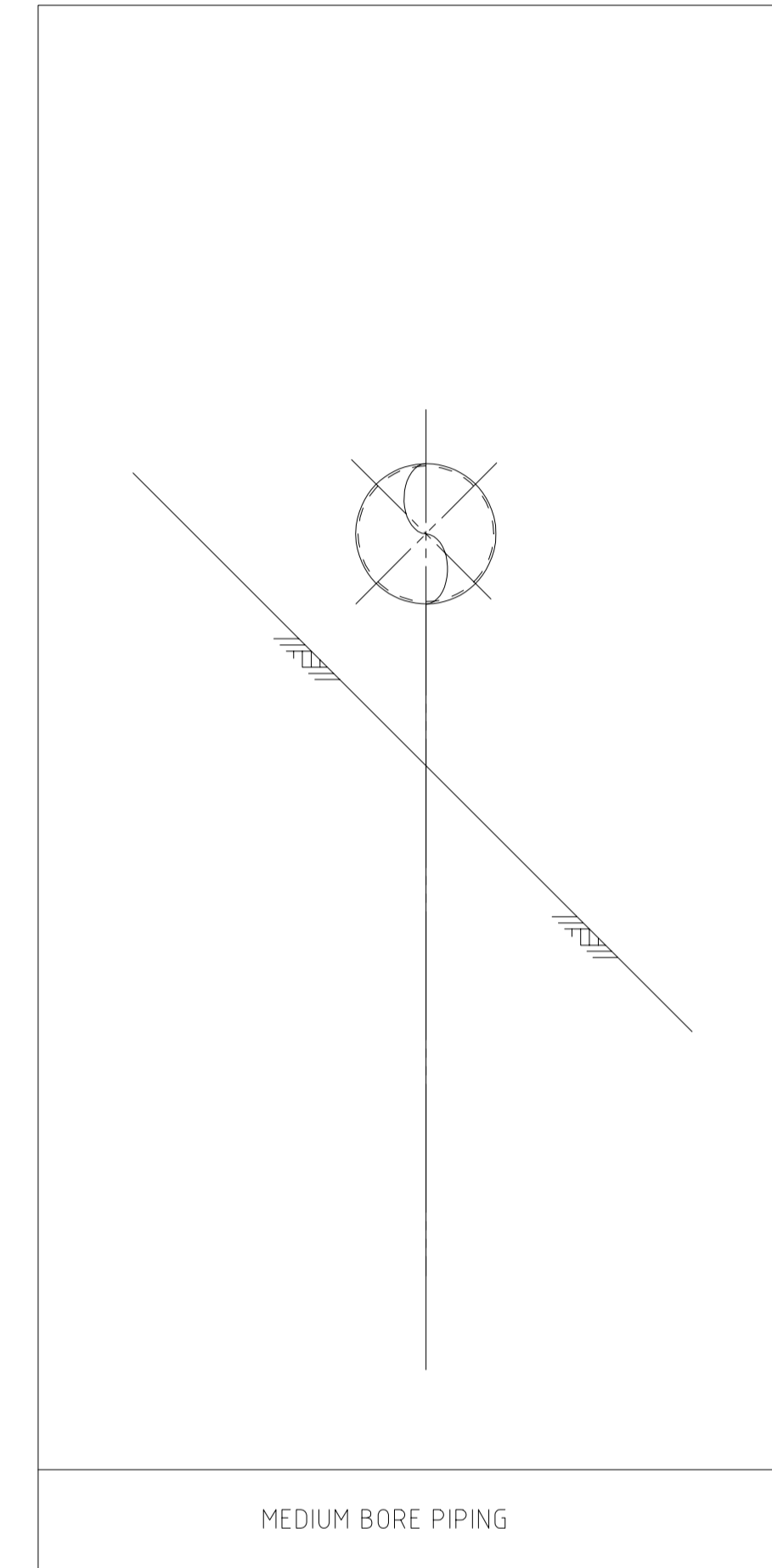


TABLE 1

PIPE SUPPORT TYPE	PIPE COLUMN 'P' NOM SIZE x WALL THICKNESS	PILE DIAM 'D' (mm)	PILE DEPTH (M)	PILE REINFORCEMENT
MS1	6" NPS STD (168.3 OD x 7.11 mm)	400	2.5	PLAIN CONCRETE
MS2	8" NPS STD (219.1 OD x 8.18 mm)	400	2.5	PLAIN CONCRETE




TYPICAL SECTION - MEDIUM BORE PIPING
PLAIN CONCRETE PILE FOUNDATION
SCALE 1:20



GENERAL PIPE PILE ARRANGEMENT CODE
NTS

NOTES

- STRUCTURAL CONCRETE SHALL HAVE A MINIMUM COMPRESSIVE CUBIC STRENGTH OF 25MPa AT 28 DAYS
- PIPE COLUMNS SHALL BE GRADE 275MPa STEEL TO BS 4360
- TOLERANCES FOR INSTALLATION OF PIPE SUPPORT FOUNDATIONS
 - MAXIMUM TOLERANCE ON PLAN LOCATION OF STEEL COLUMN SHALL BE 25mm IN ANY DIRECTION
 - MAXIMUM TOLERANCE ON TOP ELEVATION OF STEEL COLUMN SHALL BE 25mm
- STEEL PIPE COLUMNS TO BE CAST DIRECTLY INTO CONCRETE FOUNDATIONS. CLEAN PIPE COLUMN OF ANY DIRT OIL AND GREASE PRIOR TO PLACING. PIPE COLUMNS SHALL BE SHOP PRIMED DOWN TO A DEPTH OF 200mm BELOW THE TOP OF CONCRETE PRIOR TO CASTING
- CONTRACTOR TO PAINT WELDS AND INTERFACE BETWEEN STEEL PIPE COLUMN AND CONCRETE AFTER INSTALLATION OF PIPE SUPPORT HEADS WHERE PAINT WILL NOT SEAL SHRINKAGE CRACKS BETWEEN PIPE COLUMN AND CONCRETE, FILL CRACKS WITH NON SHRINK CEMENT BASED GROUT BEFORE PAINTING
- THE MINIMUM PILE EMBEDMENT DEPTHS ARE BASED ON VOLCANIC ASH. IF DURING SOIL EXCAVATION IT IS FOUND THAT THE SOIL IS DIFFERENT, CONTACT THE ENGINEER FOR REVISED EMBEDMENT REQUIREMENTS
- FOR PIPE SHOE DETAILS REFER TO RELEVANT MECHANICAL DRAWINGS
- T.O.S = TOP OF STEEL. SEE RELEVANT PIPE SUPPORT SCHEDULE FOR CORRESPONDING LEVEL

Firm Name and Address	
	
Project Name	
CONNECTION OF MAKE UP WELLS OW-53B, OW-53C AND OW-53D AT OLKARIA GEOTHERMAL PROJECT	
Drawing Title	
STANDARD SUPPORTS MEDIUM BORE PIPING	
Drawing No.	
OW-53-SFD-EB-DRG-034	
Date	
24/03/2019	
Scale	
As noted	